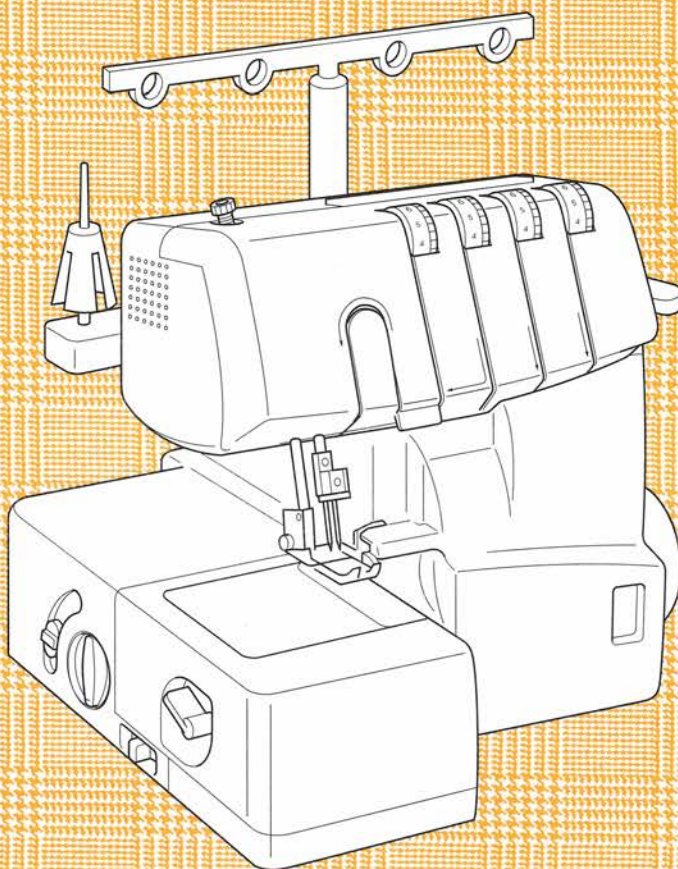


HANDBOOK FOR COMPACT OVERLOCK MACHINE

MANUAL DE INSTRUCCIONES DE LA MAQUINA COMPACTA OVERLOCK



"IMPORTANT SAFETY INSTRUCTIONS"

When using the sewing machine, basic safety precautions should always be followed, including the following.

"Read all instructions before using."

DANGER — To reduce the risk of electric shock.

1. The sewing machine should never be left unattended when plugged in. Always unplug this sewing machine from the electrical outlet immediately after using and before cleaning.
2. Always unplug before relamping. Replace bulb with same type rated 15 watts.

WARNING — To reduce the risk of burns, fire, electric shock, or injury to persons.

1. Do not allow to be used as a toy. Close attention is necessary when the sewing machine is used by or near children.
2. Use this sewing machine only for its intended use as described in this manual. Use only accessories recommended by the manufacturer as contained in this manual.
3. Never operate this sewing machine if it has a damaged cord or plug, if it is not working properly, if it has been dropped or damaged, or dropped into water. Return the sewing machine to the nearest authorized dealer or service center for examination, repair, electrical or mechanical adjustment.
4. Never operate the sewing machine with any air openings blocked. Keep ventilation openings of the sewing machine and foot controller free from the accumulation of lint, dust, and loose cloth.
5. Never drop or insert any object into any openings.
6. Do not use outdoors.
7. Do not operate where aerosol (spray) products are being used or where oxygen is being administered.
8. To disconnect, turn the main switch to the symbol "O" position which represents off, then remove plug from outlet.
9. Do not unplug by pulling on cord. To unplug, grasp the plug, not the cord.
10. Keep fingers away from all moving parts. Special care is required around the sewing machine needle.
11. Always use the proper needle plate. The wrong plate can cause the needle to break.
12. Do not use bent needles.
13. Do not pull or push fabric while stitching. It may deflect the needle causing it to break.
14. Switch the sewing machine to the symbol "O" position when making any adjustments in the needle area, such as threading needle, changing needle, or changing presser foot, and the like.
15. Always unplug the sewing machine from the electrical outlet when removing covers, lubricating, or when making any other user servicing adjustments mentioned in the instruction manual.
16. This sewing machine is not intended for use by young children or infirm persons without supervision.
17. Young children should be supervised to ensure that they do not play with this sewing machine.

CAUTION — This appliance has a polarized plug (one blade wider than the other) to reduce the risk of electric shock, this plug is intended to fit in a polarized outlet only one way.

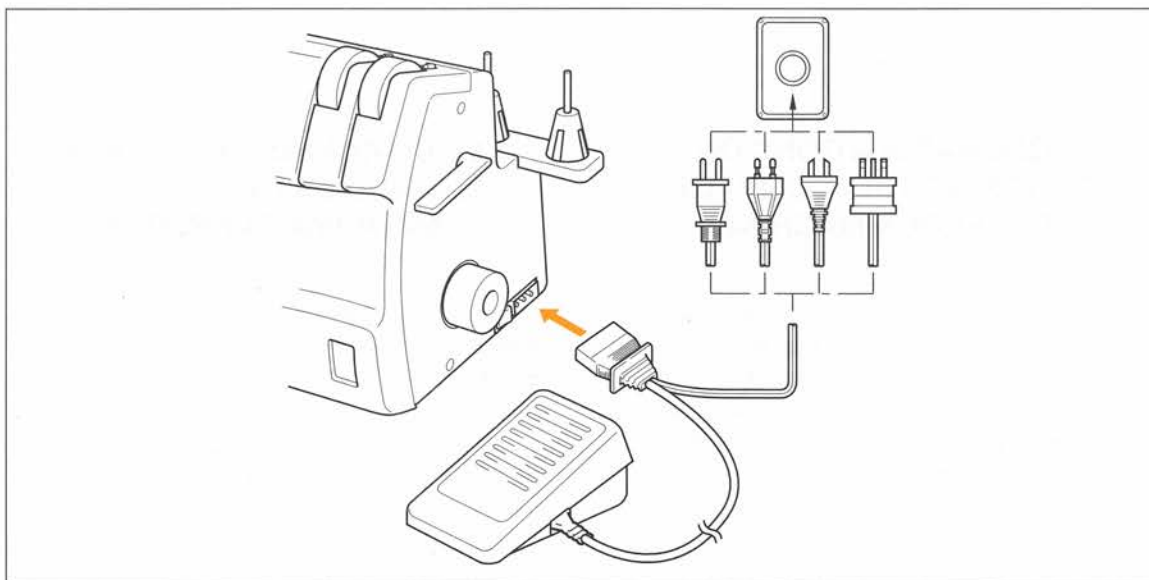
If the plug does not fit fully in the outlet, reverse the plug.

If it still does not fit. Contact a qualified electrician to install the proper outlet.

Do not modify the plug in any way.

"SAVE THESE INSTRUCTIONS"

"This sewing machine is intended for household."




- When leaving this sewing machine unattended, the main switch of the machine must be switched off or the plug must be removed from the socket-outlet.
- When servicing the sewing machine, or when removing covers or changing lamps, the machine or the electrical set must be disconnected from the supply by removing the plug from the socket-outlet.

FOR USERS IN THE UK, EIRE, MALTA AND CYPRUS ONLY.


If your sewing machine is fitted with a 3 pin non rewirable BS plug then please read the following.

IMPORTANT

If the available socket outlet is not suitable for the plug supplied with this equipment, it should be cut off and an appropriate three pin plug fitted. With alternative plugs an approved fuse must be fitted in the plug.

NOTE: The plug severed from the mains lead must be destroyed as a plug with bared flexible cords is hazardous if engaged in a live socket outlet. In the event of replacing the plug fuse, use a fuse approved by ASTA to BS 1362, i.e. carrying the  mark, rating as marked on plug.

Always replace the fuse cover, never use plugs with the fuse cover omitted.

WARNING: DO NOT CONNECT EITHER WIRE TO THE EARTH TERMINAL WHICH IS MARKED WITH THE LETTER 'E', BY THE EARTH SYMBOL  OR COLOURED GREEN OR GREEN AND YELLOW.

The wires in this mains lead are coloured in accordance with the following code:

Blue	Neutral
Brown	Live

As the colours of the wiring in the mains lead of this appliance may not correspond with the coloured markings identifying the terminals in your plug, proceed as follows.

The wire which is coloured blue must be connected to the terminal which is marked with the letter 'N' or coloured black or blue.

The wire which is coloured brown must be connected to the terminal which is marked with the letter 'L' or coloured red or brown.

**CONGRATULATIONS ON
CHOOSING THIS COMPACT
OVERLOCK MACHINE**

Your machine is a high quality, easy-to-use product. To fully enjoy all the features, we suggest that you study this booklet. If you need more information regarding the use of your machine, your nearest authorized dealer is always happy to be of service. Enjoy yourself!

**FELICITACIONES POR HABER
ELEGIDO ESTA COMPACTA
MAQUINA OVERLOCK**

Su máquina es de una eficacia y calidad excelentes; así pues, a fin de disfrutar completamente de todas las características incorporadas, le sugiero estudie el manual. Si se necesitara mayor información sobre el uso de esta máquina, el proveedor autorizado más cercano estará encantado de ofrecerle sus servicios.

CAUTION!

WHEN THREADING, REPLACING NEEDLE OR LIGHT BULB, BE SURE TO TURN OFF THE MAIN POWER SWITCH OF THE MACHINE.

WHEN THE MACHINE IS NOT IN USE, IT IS RECOMMENDED THAT THE ELECTRIC SUPPLY PLUG IS DISCONNECTED FROM THE WALL SOCKET TO AVOID ANY POSSIBLE HAZARDS.

¡PRECAUCION!

ASEGURARSE DE QUE EL INTERRUPTOR GENERAL DE LA MAQUINA ESTE APAGADO CUANDO SE ENHEBRE, REEMPLACE LA AGUJA O CAMBIE LA LAMPARITA.

CUANDO NO SE UTILICE LA MAQUINA, SE RECOMIENDA QUE EL ENCHUFE ESTE DESCONECTADO DE LA RED DE LA CORRIENTE, A FIN DE EVITAR CUALQUIER PELIGRO.

Notes on the motor

- The normal operating speed of this sewing machine is 1,300 stitches per minute, which is quite fast compared to the normal operating speed of 300 to 800 stitches per minute for the ordinary foot-operated sewing machine.
- The bearings in the motor are made of a special sintered, oil-impregnated alloy mounted in oil-soaked felt to withstand long hours of continuous operation.
- Continuous operation of the sewing machine can cause heat to build in the motor area, but not enough to adversely affect its performance. It is important to keep fabric and paper away from the ventilating holes on the back and sides of the machine so air can get to these holes.
- When the motor is running, sparks can be seen through the ventilating hole in the motor bracket on the side opposite the hand wheel. These sparks are produced by the carbon brushes and the commutator, and are part of the machines normal operation.

CAUTION

WHEN THREADING THE MACHINE, REPLACING A NEEDLE, OR WHEN THE MACHINE IS NOT IN USE, WE RECOMMEND DISCONNECTING THE ELECTRIC SUPPLY PLUG TO AVOID ANY POSSIBLE HAZARDS.

NOTAS SOBRE EL MOTOR

- *La velocidad normal de funcionamiento de esta máquina de coser es de 1.300 puntadas por minuto, lo que resulta bastante rápido comparado con la velocidad normal de 300 a 800 puntadas por minuto de las máquinas de coser normales que funcionan con pedal.*
- *Los cojinetes del motor están hechos de una aleación especial impregnada en aceite sintético y montada en un fieltro impregnado en aceite, para poder funcionar continuamente durante muchas horas.*
- *Un funcionamiento continuo de la máquina puede contribuir a calentar algo la máquina en la zona del motor, pero no lo suficiente como para alterar su rendimiento y funcionamiento. Sin embargo, es menester mantener los orificios de ventilación de la parte trasera y en los lados de la máquina sin tapar con tejido o papel durante el uso, para que el aire pueda circular por los orificios.*
- *Durante el funcionamiento del motor, se pueden ver chispas a través del orificio de ventilación de la abrazadera del motor, en el lado contrario a la ruedecilla. Estas chispas son producidas por las escobillas de carbón que entran en contacto con el conmutador, y forman parte del funcionamiento normal de la máquina.*

PRECAUCION

Al enhebrar la máquina, cambiar una aguja o al dejar la máquina sin usar, le recomendamos desenchufar la máquina para evitar cualquier peligro de corto circuito.

TABLE OF CONTENTS

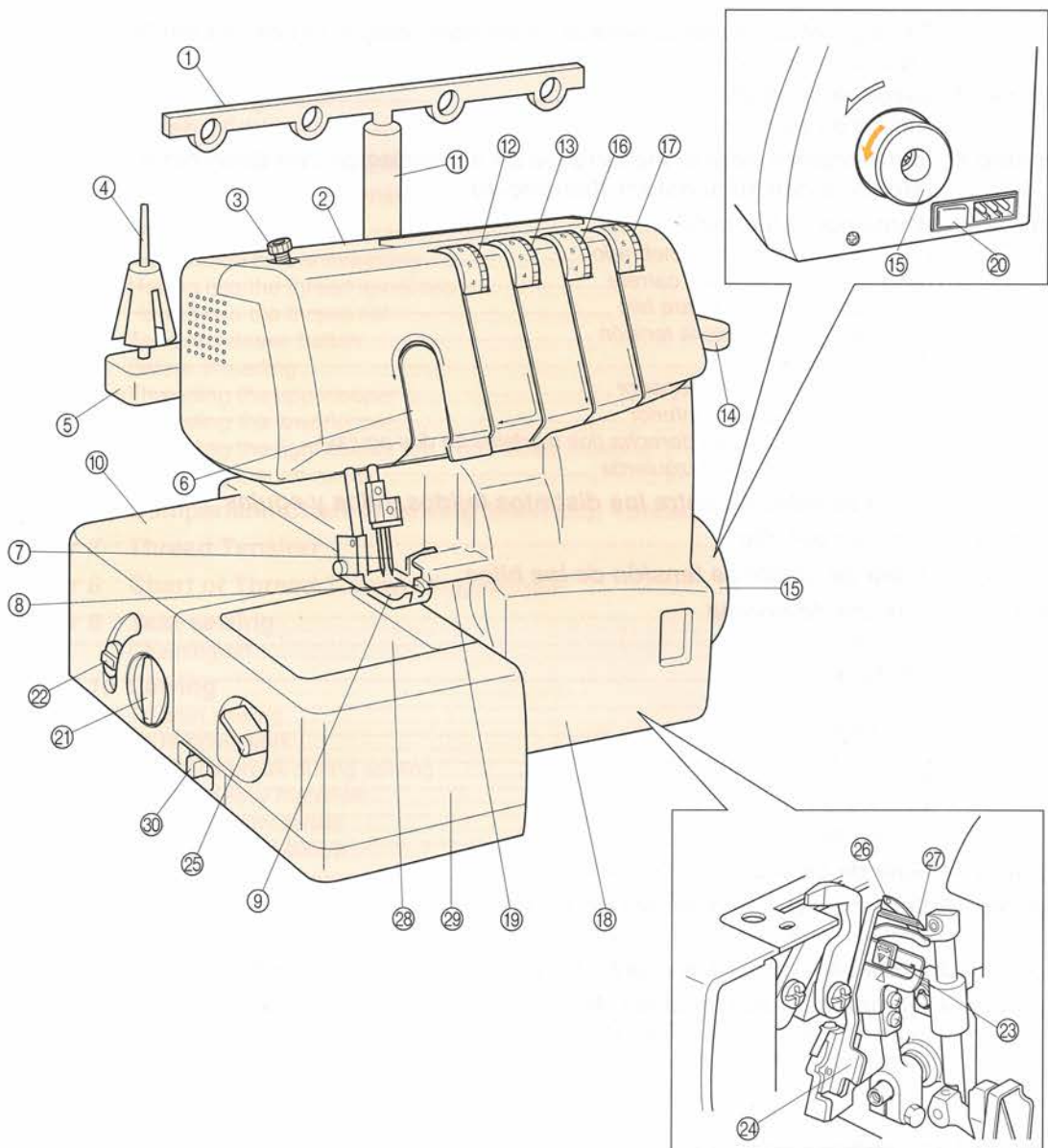
Chapter 1	Names of parts and their functions	1
	Accessories included with your serger	3
	Needle	5
	Turning direction of motor	7
	Opening and closing the front cover	7
Chapter 2	Operating	8
	Powering the machine	8
	Removing the Bed Extension for Free-Arm Sewing	9
	Removing the bed extension	9
Chapter 3	Stitch Length	10
	Stitch Width	10
Chapter 4	Instructions for the Differential Feed Mechanism (Models with Differential Feed)	11
Chapter 5	Before Threading	14
	Preparation before threading	14
	How to use the thread spool cap	15
	How to use the thread net	15
	Tension release button	15
	Before threading	16
	Threading the upperlooper	17
	Threading the lowerlooper	19
	Threading the right needle (on Two-needle models)	21
	Threading the left needle	23
Chapter 6	Comparison Chart of Sewing Materials, Threads and Needles	25
Chapter 7	Thread Tension	27
Chapter 8	Chart of Thread Tension Adjustment	29
Chapter 9	Test-sewing	33
	Chaining-off	34
Chapter 10	Sewing	35
	To start sewing	35
	To remove work	36
	If threads break during sewing	36
	To sew heavy materials	37
	To sew fine materials	37
	Presser foot pressure	38
Chapter 11	Troubleshooting	39
Chapter 12	Stitch Selection	41
	Narrow overlock stitch/rolled edge stitch	42
Chapter 13	Chart of Narrow Overlock/Rolled Edge Stitch	45
Chapter 14	Examples of Sewing Applications for this Serger	47
	Blind stitching with blind stitch presser foot	48
	Flatlock stitching with blind stitch presser foot	50
	Pin tuck stitching with blind stitch presser foot	52
	Decorative stitching	54
Chapter 15	Upper Knife and Lower Knife	55
	Retracting upper knife	55
	Replacing the knives	56
Chapter 16	Oiling	57
Chapter 17	Changing the Light Bulb	58
Chapter 18	Machine Specifications	59

INDICE

Capítulo 1	Nombres de las partes y sus funciones	1
	Accesorios incluidos con la máquina de coser	3
	Aguja	5
	Para cambiar la dirección del motor	7
	Abre y cierre de la tapa delantera	7
Capítulo 2	Funcionamiento	8
	Encendido de la máquina	8
	Extraiga el suplemento para la mesa para realizar la costura sin brazo	9
	Extraiga el suplemento para la mesa	9
Capítulo 3	Largo de puntada	10
	Ancho de puntada	10
Capítulo 4	Instrucciones para el mecanismo de alimentación con diferencial (Modelos con alimentador diferencial)	11
Capítulo 5	Antes del enhebrado	14
	Preparación antes del enhebrado	14
	Como utilizar el tope del carrete	15
	Como utilizar la malla para hilo	15
	Botón de liberación de la tensión	15
	Antes de enhebrar	16
	Enhebrado del ánclora superior	17
	Enhebrado del ánclora inferior	19
	Enhebrado de la aguja derecha (los modelos de dos agujas)	21
	Enhebrado de la aguja izquierda	23
Capítulo 6	Tabla de relación entre los distintos tejidos, hilos y agujas	26
Capítulo 7	Tensión del hilo	27
Capítulo 8	Tabla de ajuste de tensión de los hilos	29
Capítulo 9	Costura de prueba	33
	Cadeneta	34
Capítulo 10	Costura	35
	Para empezar a coser	35
	Para retirar el trabajo	36
	Si el hilo se rompe al coser	36
	Para coser tejidos gruesos	37
	Para coser tejidos finos	37
	Presión del prensatelas	38
Capítulo 11	Guía de localización de fallas	40
Capítulo 12	Selección de las distintas puntadas	41
	Puntada overlock estrecha/puntada de borde enrollado	42
Capítulo 13	Tabla para puntadas overlock estrechas/de borde enrollado	46
Capítulo 14	Ejemplos de aplicaciones de costuras para estas máquinas de coser	47
	Puntadas invisibles con prensatelas multipropósito	48
	Costura Overlock plana con prensatelas multipropósito	50
	Costuras de pliegues pequeños con prensatelas multipropósito	52
	Puntadas decorativas	54
Capítulo 15	Cuchillas superior e inferior	55
	Meter la cuchilla superior	55
	Cambio de las cuchillas	56
Capítulo 16	Engrasado	57
Capítulo 17	Cambio de la bombilla de luz	58
Capítulo 18	Especificaciones técnicas de la máquina	59

Names of parts and their functions

Nombres de las partes y sus funciones



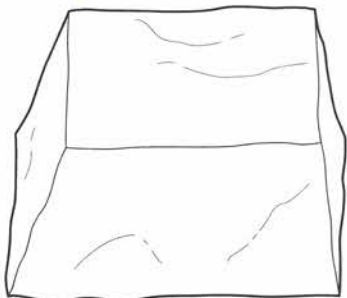
- ① Thread tree
- ② Handle
- ③ Presser foot pressure adjustment screw
- ④ Spool pin
- ⑤ Spool support
- ⑥ Thread take-up cover
- ⑦ Needles
- ⑧ Upper knife
- ⑨ Presser foot
- ⑩ Material plate cover
- ⑪ Spool stand (thread tree support)
- ⑫ Left needle thread tension dial
- ⑬ Right needle thread tension dial
- ⑭ Presser foot lifting lever
- ⑮ Hand wheel
- ⑯ Upperlooper thread tension dial
- ⑰ Lowerlooper thread tension dial
- ⑱ Front cover
- ⑲ Material slide plate (for overlock stitch)
- ⑳ Main power switch and light switch
- ㉑ Stitch length adjustment dial
- ㉒ Differential feed ratio adjustment lever
- ㉓ Lowerlooper threading lever
- ㉔ Stitch finger
- ㉕ Stitch width lever
- ㉖ Upperlooper
- ㉗ Lowerlooper
- ㉘ Free-arm cover
- ㉙ Bed extension
- ㉚ Knife lever

- ① *Arbol del hilo*
- ② *Asa*
- ③ *Tornillo de ajuste de la presión del prensatelas*
- ④ *Portabobina*
- ⑤ *Soporte de la bobina*
- ⑥ *Tapa de toma de hilo*
- ⑦ *Agujas*
- ⑧ *Cuchilla superior*
- ⑨ *Prensatelas*
- ⑩ *Tapa de tejido*
- ⑪ *Filete para la canilla (soporte del árbol del hilo)*
- ⑫ *Disco de tensión del hilo de la aguja izquierda*
- ⑬ *Disco de tensión del hilo de la aguja derecha*
- ⑭ *Palanca de levantamiento del prensatelas*
- ⑮ *Ruedecilla*
- ⑯ *Disco de tensión del hilo del áncora superior*
- ⑰ *Disco de tensión del hilo del áncora inferior*
- ⑱ *Tapa delantera*
- ⑲ *Placa de deslice del tejido (para puntadas Overlock)*
- ⑳ *Interruptor de alimentación principal e interruptor de luz*
- ㉑ *Disco de ajuste del largo de las puntadas.*
- ㉒ *Palanca diferencial de ajuste de la velocidad de alimentación*
- ㉓ *Palanca de enhebrado del áncora inferior*
- ㉔ *Uñeta de puntadas*
- ㉕ *Palanca de anchura de las puntadas.*
- ㉖ *Ancora superior*
- ㉗ *Ancora inferior*
- ㉘ *Cubierta del brazo*
- ㉙ *Suplemento para la mesa*
- ㉚ *Palanca de cuchilla*

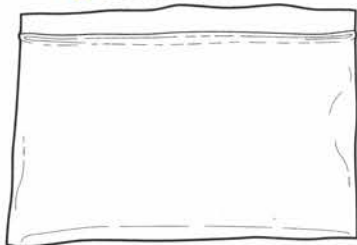
Accessories included with your serger

Accesorios incluidos con la máquina de coser

① X77871-000



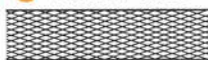
② XB2297001



③ XB1618001



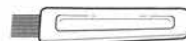
④ X75904000



⑤ X77260000



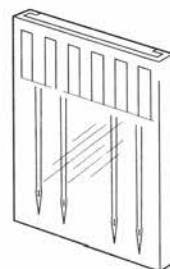
⑥ X75906001



⑦ X77128001

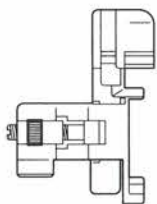


⑧ X75917001



OPTION / OPTATIVO

⑨ X76590002



⑩ XB0958001



⑪ X76663001

SA212 (U.S.A., CANADA)
(EE.UU, CANADÁ)



⑫ X77459001

SA213 (U.S.A., CANADA)
(EE.UU, CANADÁ)



⑨, ⑩, ⑪, ⑫ **OPTION**

⑨, ⑩, ⑪, ⑫ **OPTATIVO**

The number represents the parts code

- ① Soft cover
- ② Accessory bag
- ③ Tweezers
- ④ Thread net
Two-needle models (4)
One-needle models (3)
- ⑤ Thread spool cap
Two-needle models (4)
One-needle models (3)
- ⑥ Cleaning brush
- ⑦ Hexagonal (Allen) wrench (on Two-needle models)
- ⑧ Needle set: SCHMETZ 130/705M
80/12: 2 pcs.
90/14: 2 pcs.
- ⑨ Blind stitch foot (Option)
- ⑩ Trim trap (Option)
- ⑪ Tape presser foot (Option)
- ⑫ Gathering foot (Option)

Foot controller: XC7359021 (110/120V Area)
XC7438421 (220/240V Area)
XC7456421 (U.K.)
XE0629001 (Australia, New Zealand)
XC7438421 (Germany)

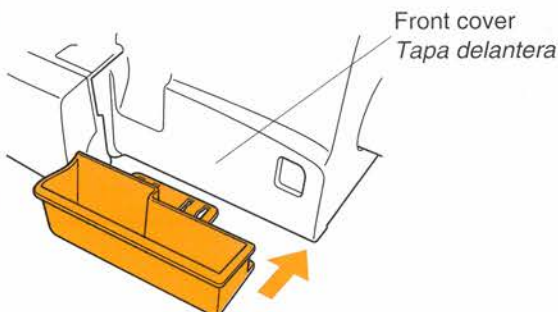
Installing/Removing the trim trap

Installation

Insert the trim trap in the direction indicated by the arrow until it contacts the front cover.

Removal

Slightly lift up the sewing machine, and then pull out the trim trap in the opposite direction of that indicated by the arrow.



El número corresponde al código de los elementos

- ① Funda
- ② Bolsa de accesorios
- ③ Pinzas
- ④ Malla
Modelos de dos agujas (4)
Modelos de una aguja (3)
- ⑤ Tope del carrete
Modelos de dos agujas (4)
Modelos de una aguja (3)
- ⑥ Cepillo limpiador
- ⑦ Llave de tuerca hexagonal (Allen) (Modelos de das agujas)
- ⑧ Juego de agujas: SCHMETZ 130/705M
80/12: 2 unidades
90/14: 2 unidades
- ⑨ Prensateclas para puntadas invisibles (Optativo)
- ⑩ Orificio de corte (Optativo)
- ⑪ Prensateclas para cintas (Optativo)
- ⑫ Prensateclas fruncidor (Optativo)

Pedal: XC7359021 (zona con 110/120V)
XC7438421 (zona con 220/240V)
XC7456421 (Reino Unido)
XE0629001 (Australia, Nueva Zelanda)
XC7438421 (Alemania)

Instalación/Desmontaje del orificio de corte

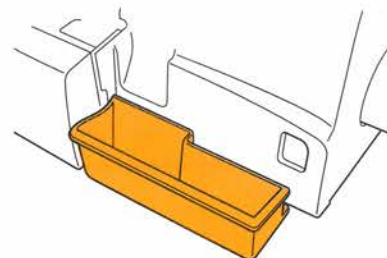
Instalación

Inserte el orificio de corte en la dirección indicada por la flecha hasta que toque la tapa delantera.

Desmontaje

Levante ligeramente la máquina de coser, y después saque el orificio de corte tirando de él en la dirección opuesta a la indicada por la flecha.

After installation / Instrucción posterior



Needle

This machine uses a standard home sewing machine needle.

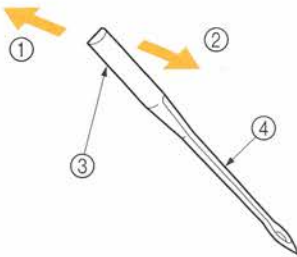
The recommended needle is SCHMETZ 130/705H.

To remove the needle

- (1) Turn the main power switch to the OFF position.
- (2) Turn the hand wheel counter-clockwise by hand until the needle is at its highest position.
- (3) Loosen the needle set screw with hexagonal wrench and remove the needle.
 - ① Back
 - ② Front
 - ③ Flat side
 - ④ Groove

To insert the needle

- (1) Turn the main power switch to the OFF position.
- (2) Turn the hand wheel until the needle bar is at its highest position.
- (3) Hold the needle with its flat side away from you and insert it up as far as it will go.
- (4) Tighten the needle set screw securely with the hexagonal wrench.
 - ⑤ Place the needle on its flat side and check to see if the space is parallel.
 - ⑥ Flat side
 - ⑦ (needle-plate, glass, etc.)



Aguja

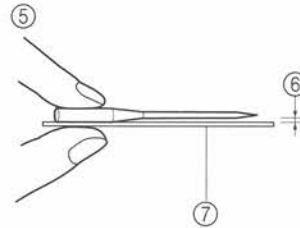
Esta máquina funciona con una aguja normal para máquinas domésticas. Así mismo, se recomienda el uso de una aguja SCHMETZ 130/705H.

Para sacar la aguja

- (1) Apague el interruptor principal (posición OFF).
- (2) Gire la ruedecilla a mano, en contra de las manecillas del reloj hasta que la aguja alcance la posición más elevada.
- (3) Afloje el tornillo de instalación de la aguja con la llave hexagonal y saque la aguja.
 - ① Parte trasera
 - ② Parte delantera
 - ③ Parte llana
 - ④ Canal

Para introducir la aguja

- (1) Apague el interruptor principal (póngalo en OFF).
- (2) Gire la ruedecilla hasta que la barra de la aguja alcance la posición más alta.
- (3) Sujete la aguja con la parte curvada de cara a Vd. e insértela hacia arriba hasta el tope.
- (4) Vuelva a apretar firmemente el tornillo de instalación de la aguja con la llave hexagonal.
 - ⑤ Coloque la aguja en su parte llana y compruebe que el espacio sea paralelo.
 - ⑥ Parte llana
 - ⑦ Placa de aguja (Vidrio, etc.)



NOTE:

Two-needle models

- On two-needle models, we suggest you hold the two needles with one hand and then insert them both at the same time.
- If the needles have been inserted correctly, the right needle should be set slightly lower than the left one.

CAUTION

The needle set screw holds both needles. Keep this in mind when you loosen the set screw to exchange one or both needles.

- ⑧ Needle set screw
- ⑨ Tighten
- ⑩ Loosen
- ⑪ Hexagonal wrench

NOTA:

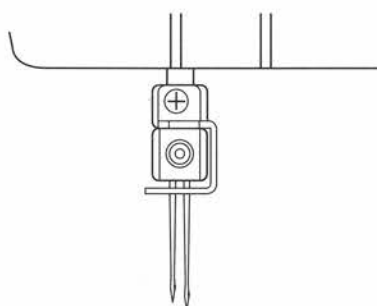
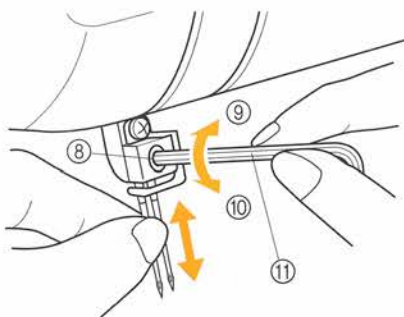
Modelos de dos agujas

- En los modelos de dos agujas, le sugerimos sujetar ambas agujas en una sola mano e insertarlas simultáneamente.
- Si las agujas fueron introducidas correctamente, la aguja de derecha debería quedar un poco más abajo de la izquierda.

PRECAUCION

El tornillo de instalación de las agujas sujeta ambas agujas. No se lo olvide al aflojar dicho tornillo para cambiar una o ambas agujas.

- ⑧ Tornillo de instalación de las agujas
- ⑨ Apretar
- ⑩ Aflojar
- ⑪ Llave de tuerca hexagonal

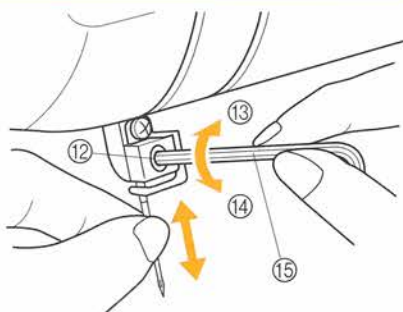


One-needle models

- ⑫ Needle set screw
- ⑬ Tighten
- ⑭ Loosen
- ⑮ Hexagonal wrench

Modelos de una aguja

- ⑫ Tornillo de instalación de las agujas
- ⑬ Apretar
- ⑭ Aflojar
- ⑮ Llave de tuerca hexagonal



Turning direction of motor

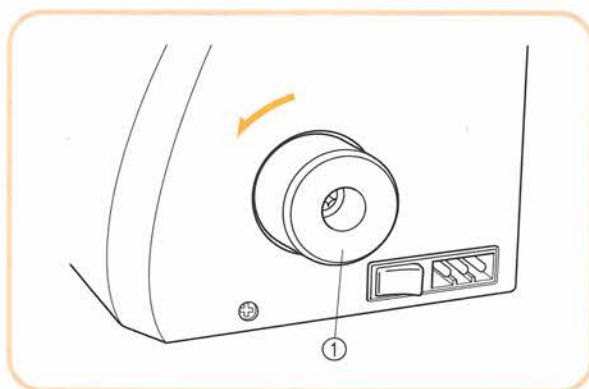
- The motor and hand wheel of this machine turn in a counterclockwise direction (direction of arrow). This is the same direction as an ordinary home sewing machine.

① Hand wheel

Para cambiar la dirección del motor

- El motor y la ruedecilla de esta máquina funcionan en el sentido contrario al de las manecillas del reloj (dirección de la flecha), como es el caso con la mayoría de las máquinas de coser domésticas.

① Ruedecilla



Opening and closing the front cover

It is necessary to open the front cover when threading this machine.

NOTE:

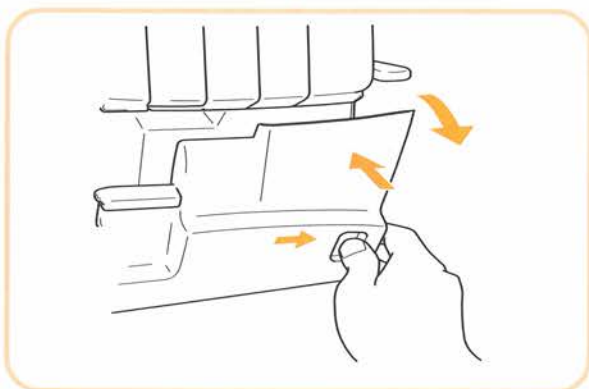
For your safety, make sure that the front cover is closed when operating the machine.

Abre y cierre de la tapa delantera

Es necesario abrir la tapa delantera para enhebrar la máquina.

NOTA:

Para su propia seguridad, averigüe siempre que la tapa delantera esté bien cerrada antes de hacer funcionar la máquina.



Operating

Powering the machine

Preparation

- Insert the three-pin plug into the socket on the bottom right side of the machine. Insert the power supply plug into a power outlet.

Main Power and Sewing Light Switch

This switch turns the power and sewing light on or off. To turn on push toward "1" mark. To turn off push toward "0" mark.

- ① Main Power and Sewing Light Switch

Operation

When the pedal is pressed lightly, the machine runs at a low speed. As the pedal is pressed further, the machine will increase speed. When the pedal is released, the machine stops.

Note (For U.S.A. only): Foot Controller: KD-1902
This foot controller can be used for sewing machine models 1034D, 1134DW, 1134D, DZ1234 and 1634D.

Funcionamiento

Encendido de la máquina

Preparación de la máquina

- Introduzca el zócalo de tres puntas en el enchufe que se encuentra abajo, en el lado derecho de la máquina e inserte el zócalo de alimentación en una toma de corriente.

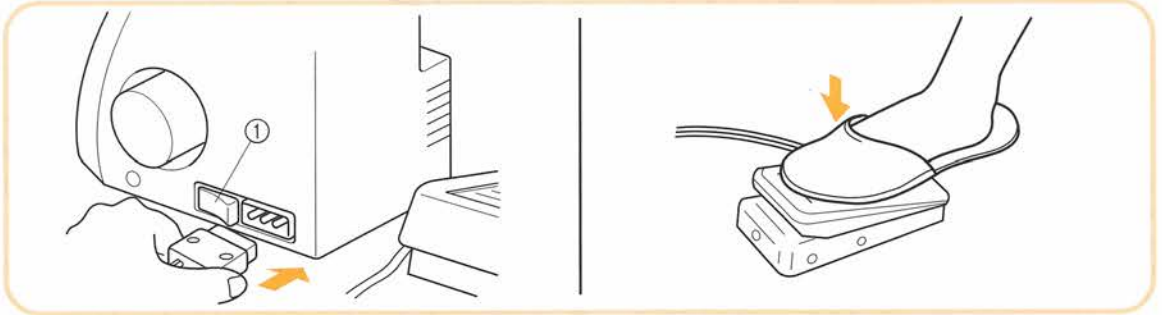
Interruptor principal y de luz

Este interruptor permite apagar y encender la máquina así como la luz. Para encender, empuje hacia la marca "1"; para apagar, póngalo en la marca "0".

- ① Interruptor principal y de luz

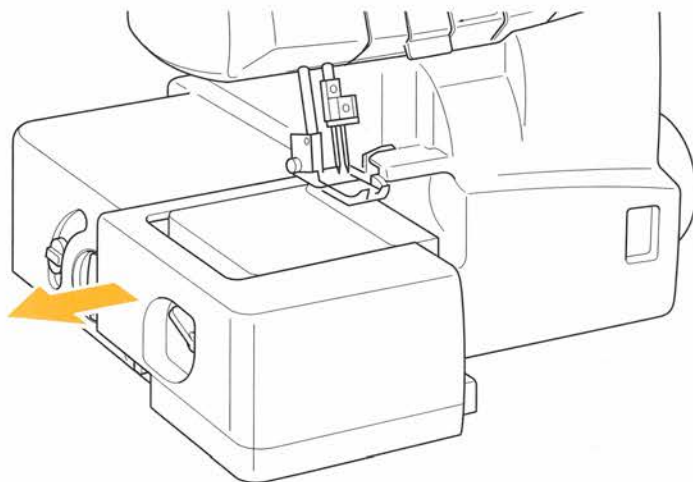
Funcionamiento

Al oprimir ligeramente el pedal, la máquina funcionará a baja velocidad. A medida que se apriete más, la máquina incrementará su velocidad. La máquina se parará tan pronto como se suelte el pedal.



Removing the Bed Extension for Free-Arm Sewing

Removing the bed extension

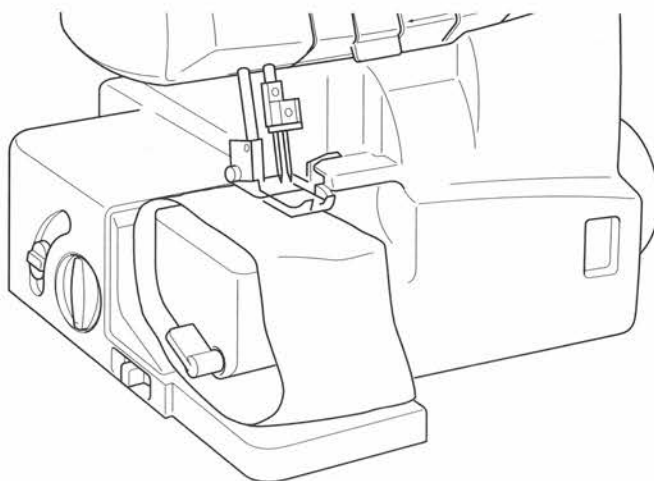


Extraiga el suplemento para la mesa para realizar la costura sin brazo

Extraiga el suplemento para la mesa

Free-arm sewing enables tubular pieces to be sewn more easily. For free-arm sewing, remove the bed extension and position the fabric as shown in the illustration.

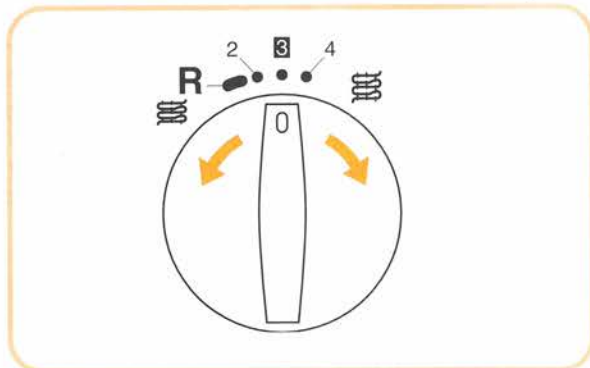
La costura sin brazo permite coser trozos tubulares de tejido de forma más sencilla. Para llevar a cabo la costura sin brazo, extraiga el suplemento para la mesa y coloque el tejido tal y como se indica en la ilustración.



Stitch Length

To change the stitch length,

- (1) Locate the stitch length adjustment dial on the left side of the machine.
- (2) Turn the stitch length adjustment dial forward to lengthen the stitch to a maximum of 4 mm (5/32 inch).
Turn the stitch length adjustment dial backwards to shorten the stitch length to a minimum of 2 mm (1/8 inch).
- (3) The normal stitch length setting is 2.5 mm to 3 mm.



Largo de puntada

Para cambiar el largo de las puntadas:

- (1) Busque el disco de ajuste del largo de las puntadas en el lado izquierdo de la máquina.
 - (2) Gire el disco de ajuste del largo de las puntadas hacia adelante para alargar la puntada a un máximo de 4 mm.
Gire el disco de ajuste del largo de las puntadas hacia atrás para acortar la longitud de puntada a un mínimo de 2 mm.
- * Un ajuste normal para el largo de las puntadas se sitúa entre 2,5 y 3 mm.

Stitch Width

Two-needle models

To change the stitch width.

- (1) Move the stitch width lever (located on the left side of the machine toward the front) up to reduce the stitch width or down to increase the width.
The stitch width can be set between R4.5 mm (11/64 inch) and 7 mm (9/32 inch).
The normal stitch width setting for regular overlock stitch is 5mm (13/64 inch).

One-needle models

- The width is factory set to 3.5mm (9/64 inch).
- (A) Two-needle models
 - (B) One-needle models
 - ① Stitch width lever
 - ② Regular needle plate

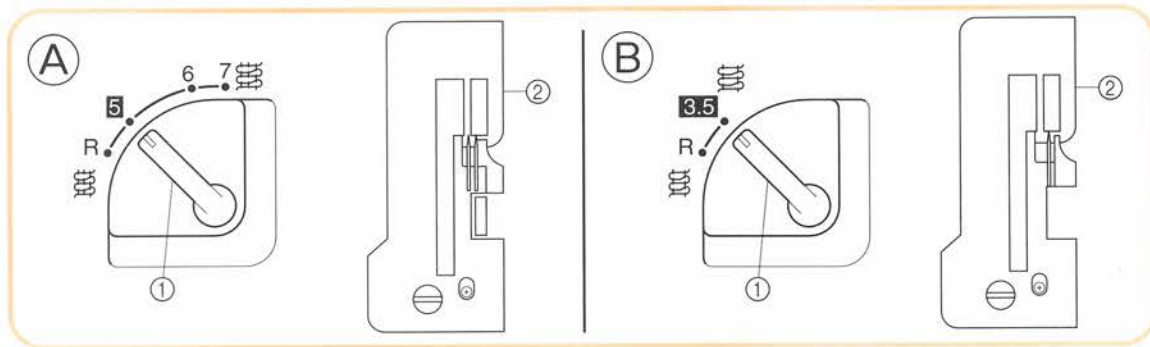
Ancho de puntada

Modelos de dos agujas.

- Para cambiar el ancho de puntada.
- (1) Mueva la palanca de anchura de las puntadas (situada a la izquierda de la máquina, hacia adelante) hacia arriba para reducir el ancho de puntada, o hacia abajo para aumentar el ancho de puntada.
Puede ajustar el ancho de puntada entre R4,5 mm y 7 mm.
El ajuste normal del ancho de puntada para una puntada overlock corriente es de 5 mm.

Modelos de una aguja.

- El ancho de las puntadas está establecido en la fábrica en 3,5 mm.
- (A) Modelos de dos agujas
 - (B) Modelos de una aguja
 - ① Palanca de anchura de las puntadas
 - ② Place de aguja normal



Instructions for the Differential Feed Mechanism (Models with Differential Feed)

This serger is equipped with two sets of feed dogs under the presser foot to move the fabric through the machine. The differential feed controls the movement of both the front and the rear feed dogs. When set at 1, the feed dogs are moving at the same speed (ratio of 1). When the differential feed ratio is set at less than 1, the front feed dogs move slower than the rear feed dogs, stretching the fabric as it is sewn. This is effective on lightweight fabric that may pucker. When the differential feed ratio is set at greater than 1, the front feed dogs move faster than the back feed dogs, gathering the fabric as it is sewn. This function assists in removing the rippling when serging stretch fabrics.

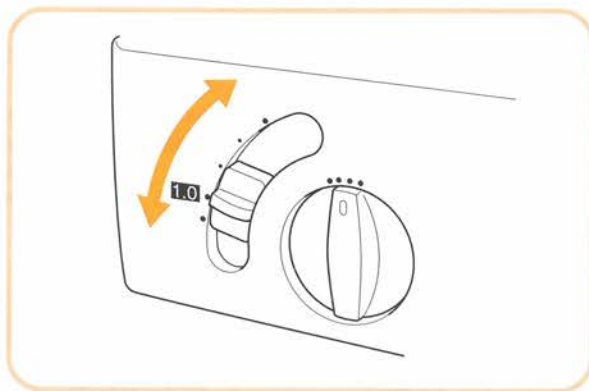
- To adjust the differential feed.
 - (1) Locate the differential feed adjustment lever on the left side of the machine.
 - (2) The normal setting is 1.0 on the differential feed adjustment lever.
 - (3) To set less than 1.0, move the lever back.
 - (4) To set greater than 1.0, move the lever forward.


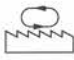

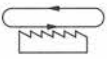
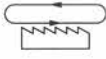
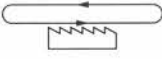
Instrucciones para el mecanismo de alimentación con diferencial (Modelos con alimentador diferencial)



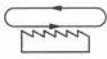

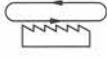
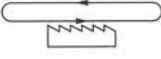
Esta máquina de coser está provista de dos series de alimentadores debajo del prensatelas para guiar el tejido por la máquina. El alimentador con diferencial controla los movimientos de los alimentadores delanteros y traseros. Al ajustarlo en 1, los alimentadores se desplazarán a una velocidad idéntica (relación de 1). Al ajustar la relación del alimentador con diferencial en menos de 1, los alimentadores delanteros van a moverse más despacio que los traseros, estirando el tejido a medida que se cuese. Esta operación resulta muy eficiente al coser materiales finos que pueden arrugarse.

Cuando el alimentador con diferencial esté ajustado en un valor superior a 1, los alimentadores delanteros van a moverse más rápido que los alimentadores traseros, juntando el tejido al coserlo. Esta función permite quitar las arrugas al coser tejidos que se estiran.

- Para ajustar el alimentador diferencial.
 - (1) Busque la palanca de ajuste del alimentador diferencial en el lado izquierdo de la máquina.
 - (2) El ajuste normal es de 1,0 en la palanca de ajuste del alimentador diferencial.
 - (3) Para ajustar menos de 1,0, mueva la palanca hacia atrás.
 - (4) Para ajustar más de 1,0, mueva la palanca hacia adelante.

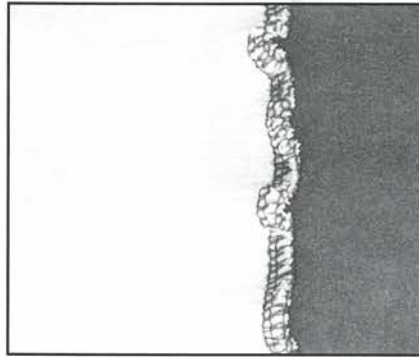


Feed ratio	Main feed (rear)	Differential feed (front)	Effect	Application
0.7 – 1.0			Material is pulled tight.	Prevents thin materials from puckering
1.0			Without differential feed.	Normal sewing
1.0 – 2.0			Material is gathered or pushed together.	Prevents stretch materials from stretching or puckering

Velocidad de alimentación	Alimentador principal (detrás).	Alimentador con diferencial (delante).	Efecto.	Uso.
0,7 – 1,0			El tejido se estira	Impide que los tejidos finos frunzan.
1,0			Sin alimentación con diferencial.	Costura normal.
1,0 – 2,0			El tejido se contrae o se junta.	Impide que los tejidos extensibles se estiren o frunzan.

- An example where adjustment is required

When stretch material is sewn without using the differential feed, the edge will be wavy.



- Ejemplo en que se requiere ajuste

Al coser tejidos extensibles sin utilizar una alimentación con diferencial, su borde va a ser oleado.

To make the edge more smooth, adjust the feed ratio from 1.0 toward 2.0. (The feed ratio required depends on the elasticity of the material.)

The more elastic the material, the further toward 2.0 the differential feed ratio should be set. Test sew with a scrap of the fabric to find the correct adjustment.

Para remediar al problema y mejorar la apariencia del borde, ajuste la velocidad de alimentación de 1,0 hacia 2,0. (El ajuste de la velocidad de alimentación depende de la elasticidad del material).

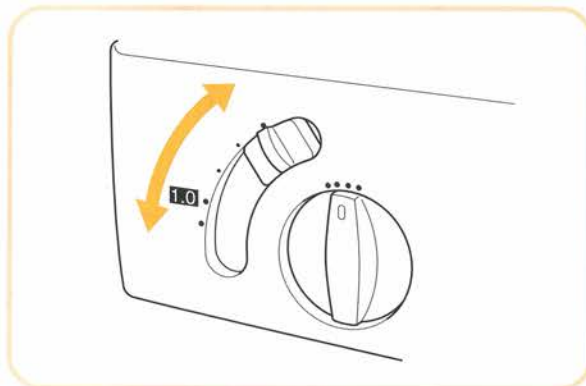
Cuanto más elástico el tejido, más hacia 2 se debe poner el ajuste de la velocidad de alimentación con diferencial. Haga una prueba con un poco de tejido para encontrar el ajuste correcto.

CAUTION

When sewing thick non-stretchable material such as denim, do not use the differential feed as it may damage the fabric.

PRECAUCION

Si debe coser tejidos gruesos que no son elásticos, tales como el tejano, no trabaje con el alimentador diferencial, para no deteriorar el material.

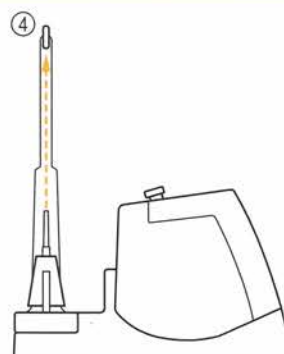
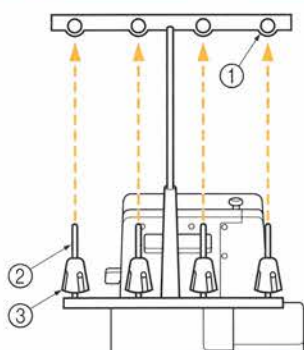


Before Threading

Preparation before threading

Raise the telescoping thread tree to its highest position. Make sure that the thread holders are in alignment above the spool pins as illustrated below.

- ① Thread holder on thread tree
- ② Spool pin
- ③ On Two-needle models
- ④ Correct position

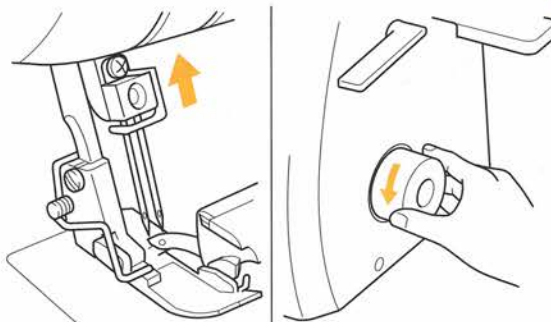


Antes del enhebrado

Preparación antes del enhebrado

Levante el árbol telescópico del hilo hasta su posición más alta. Compruebe que los corchetes de hilos quedan alineados sobre los portabobinas como se ilustra a continuación.

- ① Portahilos en el árbol del hilo
- ② Portabobina
- ③ En los modelos de dos agujas
- ④ Posición correcta



CAUTION

When threading, always thread in this order: upperlooper, lowerlooper, right needle and then the left needle.

PRECAUCION

Cuando haga el enhebrado, enhebre siempre en este orden: áncora superior, áncora inferior, aguja derecha y luego aguja izquierda.

How to use the thread spool cap

When using sewing thread spools, the thread spool cap should be used as illustrated below.

Make sure that the spool notch is on the bottom. (See fig. A)

① Thread spool cap

How to use the thread net

If you are sewing with loosely spun nylon thread, we recommend that you cover the spool with the net supplied to prevent the thread from slipping off the spool.

Adapt the net to the shape of the spool. (See fig. B)

① Net

Como utilizar el tope del carrete

Cuando utilice carretes de hilo de coses, el tope del carrete debe emplearse tal como se ilustra abajo.

Asegúrese de que la muesca del carrete quede hacia abajo. (Véase fig. A)

① Tope del carrete

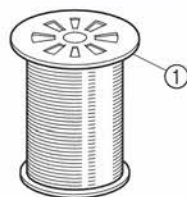
Como utilizar la malla para hilo

Si está cosiendo con un hilo de hilvanar, le recomendamos cubrir el carrete con la malla provista para que el hilo no se deslice del carrete.

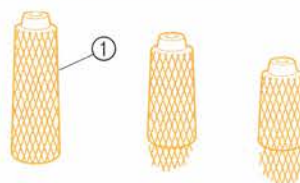
Adapte la malla a la forma del carrete. (Véase fig. B)

① Malla

A



B



Tension release button

This serger is equipped with a thread tension release button. When threading, be sure to:

(1) Hold the tension release button directly above the tension adjustment wheel to the right.

(2) Pass the thread through the tension disc which is in the channel next to the tension adjustment dial.

(3) Release the button.

① Thread tension release button

② Thread tension dial

③ Slide to the right.

Botón de liberación de la tensión

Esta máquina está equipada con un botón de liberación de la tensión del hilo. Cuando haga enhebrado, asegúrese de:

(1) Retener el botón liberación de la tensión directamente encima de la rueda de ajuste de la tensión de la derecha.

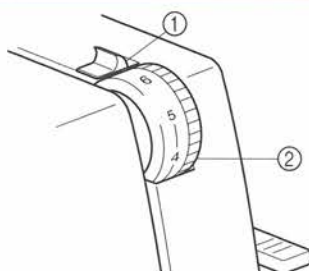
(2) Pase el hilo por el disco de tensión, que está en el canal al lado del disco de ajuste de la tensión.

(3) Libere el botón.

① Botón de liberación de la tensión del hilo

② Disco de tensión del hilo

③ Deslízela hacia la derecha.



Before threading

- (1) Turn off the main power switch for safety.
- (2) Raise the presser foot using presser foot lever.

CAUTION

When threading the needle, always be sure to lift the presser foot lever, and also take care to thread in the proper order.

- (3) Set the needle bar in its highest position by turning the handwheel toward you.

Turn the handwheel to find the easiest position for threading, and then thread the upperlooper thread, lowerlooper thread, right needle thread and then the left needle thread. The proper threading order for this serger is upperlooper, lowerlooper, right needle, and then the left needle.

- ① Slide to the right
- ② Thread tension discs
- ③ Correct
- ④ Wrong

Antes de enhebrar

- (1) Apagar el interruptor principal por seguridad.
- (2) Levantar el prensatelas con la palanca.

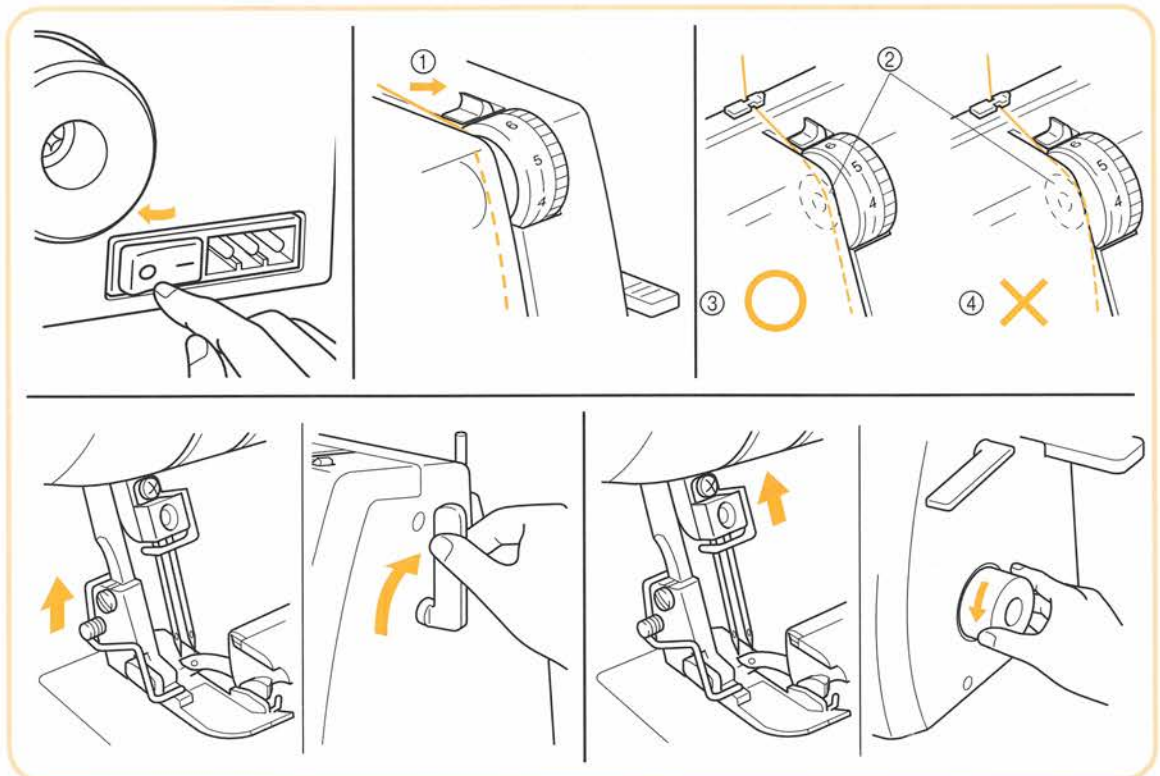
PRECAUCION

Al enhebrar la aguja, se debe asegurar de levantar la palanca del prensatelas, y también de enhebrar en el orden correcto.

- (3) Colocar la aguja en la posición más alta, girando la polea hacia afuera.

Girar la perilla hasta encontrar la posición más fácil para enhebrar, y luego enhebrar el hilo del áncora superior, el del áncora inferior, el de la aguja derecha y el de la aguja izquierda o el de la aguja de puntada de doble cadeneta (sólo en el modelo de 5 hilos), en ese orden. El orden de enhebrado correcto de esta máquina es el siguiente: áncora superior, áncora inferior, agujas derechas y luego aguja izquierda.

- ① Deslice hacia la derecha
- ② Discos de tensión de hilo
- ③ Correcto
- ④ Incorrecto



Threading the upperlooper

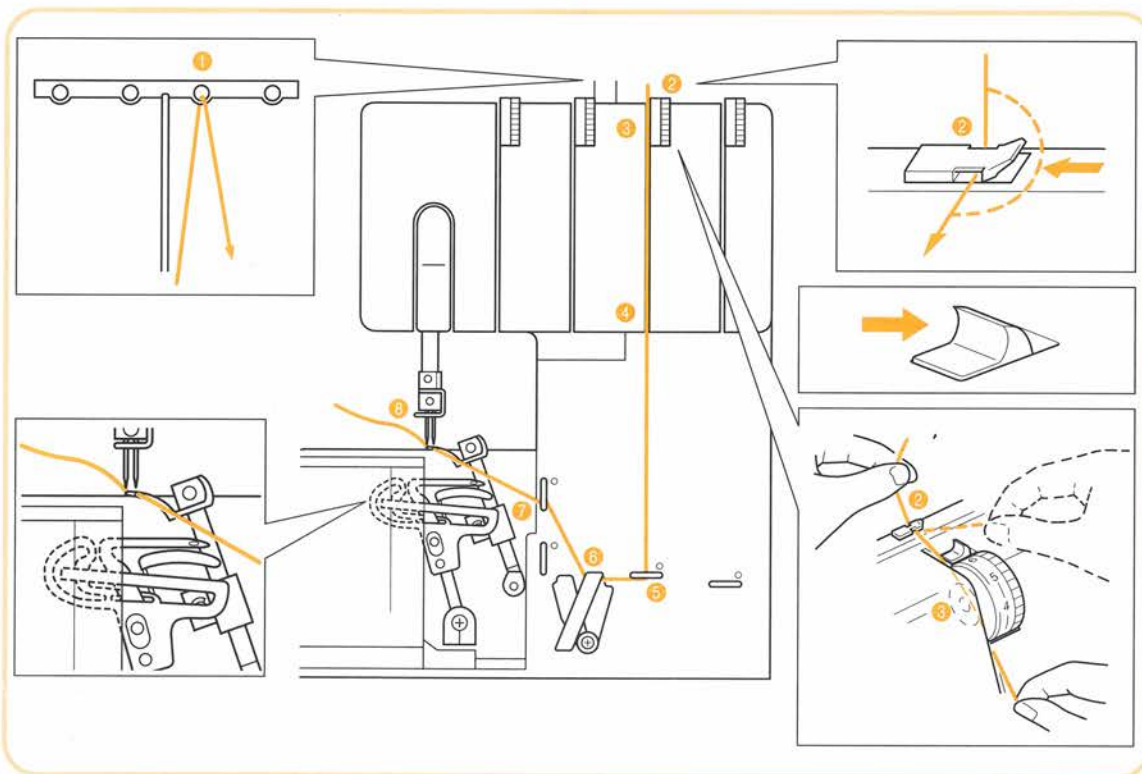
- Run the thread in the sequence illustrated, following the green color and the numbers next to each threading point.

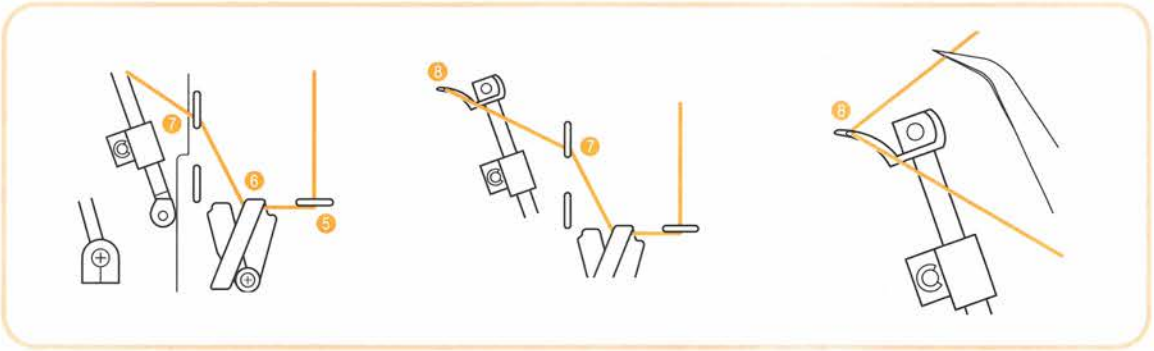
- ① Open the front cover by sliding to the right and guiding the top toward you.
- ② Pull the thread off the spool and directly up through the thread guide on the thread tree from back to front.
- ③ Pull the thread about an extra 15cm (6 inches) through the front of the thread tree.
- ④ Pass the thread through the proper thread guide.
- ⑤ Slide and hold the thread tension release button to the right, then pass the thread through the tension disc which is in the channel next to the green tension adjustment dial. Release the button.
- ⑥ Guide the thread down the channel and pass the thread through the threading points next to the green color marks following the numerical order in the accompanying illustration.

Enhebrado del áncora superior

- Enhebre el hilo según ilustrado en la secuencia, siguiendo el color verde y los números inscritos al lado de cada punto de enhebrado.

- ① Abra la tapa delantera deslizando hacia la derecha y guiando la parte superior hacia usted.
- ② Saque el hilo del carrete y póngalo directamente por la guía de enhebrado del árbol de enhebrado desde detrás a delante.
- ③ Tire del hilo otros 15 cm aproximadamente por la parte delantera del árbol de enhebrado.
- ④ Pase el hilo por la guía de hilo correspondiente.
- ⑤ Deslice y retenga el botón de liberación de la tensión del hilo hacia la derecha, y pase el hilo por el disco de tensión que es el canal situado al lado del disco de ajuste de la tensión verde. Suelte el botón.
- ⑥ Guíe el hilo por el canal y pase el hilo por los puntos de enhebrado al lado de las marcas de color verde siguiendo el orden numérico de la ilustración.



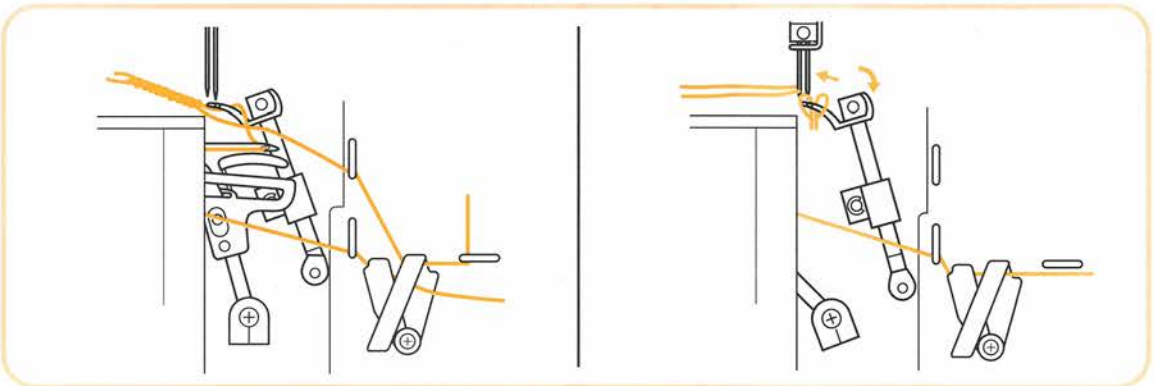


NOTE:

If the upperlooper thread breaks during sewing
 This may be caused by the lowerlooper thread getting caught on the upperlooper. If this happens, lower the upperlooper by turning the hand wheel, remove the lowerlooper thread from the upperlooper, and re-thread the upperlooper from at least the tension disc.

NOTA:

Si el hilo del áncora superior se rompe al coser.
 El hilo del áncora inferior se engancha a veces con el hilo del áncora superior. En este caso, baje el áncora superior girando la ruedecilla, saque el hilo del áncora inferior y vuelva a enhebrar el áncora superior por lo menos hasta el disco de tensión.

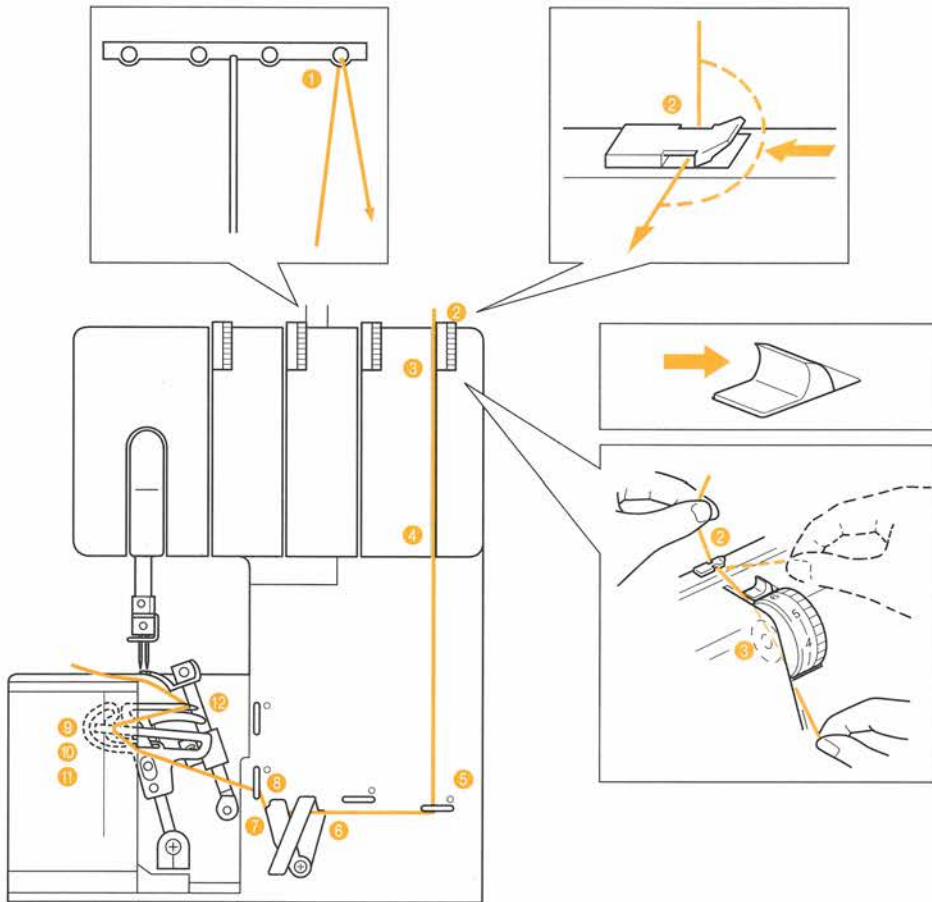


Threading the lower looper

- Run the thread in the sequence illustrated, following the blue color and the numbers next to each threading point.

Enhebrado del áncora inferior

- Enhebre el hilo según lo ilustrado en la secuencia, observando el color azul y los números inscritos al lado de cada punto de enhebrado.



- ① Open the front cover by sliding to the right and guiding the top toward you.
- ② Pull the thread off the spool and directly up through the thread guide on the thread tree from back to front.
- ③ Pull the thread about an extra 15cm (6 inches) through the front of the thread tree.
- ④ Pass the thread through the proper thread guide.

- ① Abra la tapa delantera deslizando hacia la derecha y guiando la parte superior hacia usted.
- ② Saque el hilo del carrete y póngalo directamente por la guía de enhebrado del árbol de enhebrado desde detrás a delante.
- ③ Tire del hilo otros 15 cm aproximadamente por la parte delantera del árbol de enhebrado.
- ④ Pase el hilo por la guía de hilo correspondiente.

- ⑤ Slide and hold the thread tension release button to the right, then pass the thread through the tension disc which is in the channel next to the blue tension adjustment dial. Release the button.
- ⑥ Guide the thread down the channel and pass the thread through the threading points next to the blue color marks following the numerical order in the accompanying illustration up to the lowerlooper threading lever.

NOTE:

If the lowerlooper thread breaks during sewing, cut and remove thread from both of the needles. Before re-threading the lowerlooper, make sure that the lowerlooper re-threading is done exactly as diagrammed above. The machine will not operate properly if the threading is not done in the proper sequence.

Lowerlooper Easy Threading Operation (Illustrated on page 21)

- (1) Slide the lowerlooper threading lever to the right.
- (2) Position the thread under the hook (left end) of the threading lever.
- (3) Place the thread through the eye of the lowerlooper.
- (4) Holding the end of the thread, slide the lowerlooper threading lever to the left which returns it to its standard position.
- (5) Make sure that the pink triangular marks line up.

CAUTION

When sliding the lowerlooper threading lever to the left, always make sure that the two pink triangular marks line up as illustrated.

- ① Lowerlooper
- ② Lowerlooper threading lever

CAUTION

Thread the needles after the lowerlooper and upperlooper have been threaded.

CAUTION

Slide the threading lever only in the directions shown by the arrow. Forcefully moving the threading lever in any other direction may damage it.

- ⑤ Deslice y retenga el botón de liberación de la tensión del hilo hacia la derecha, y pase el hilo por el disco de tensión que es el canal situado al lado del disco de ajuste de la tensión azul. Suelte el botón.
- ⑥ Guíe el hilo por el canal y pase el hilo por los puntos de enhebrado al lado de las marcas de color verde siguiendo el orden numérico de la ilustración hasta la palanca de enhebrado del áncora inferior.

NOTA:

Si el hilo del áncora inferior se rompe al coser. Antes de volver a enhebrar el áncora inferior, asegúrese de que el enhebrado se haya realizado tal como se enseñó en el diagrama arriba. La máquina no funcionará correctamente si no está enhebrada en el orden apropiado.

Proceso simple de enhebrado del áncora inferior (Se ilustra en la página 21)

- (1) Deslice la palanca de enhebrado del áncora inferior hacia la derecha.
- (2) Coloque el hilo debajo del corchete (extremo izquierdo) de la palanca de enhebrado.
- (3) Pase el hilo por el ojo del áncora inferior.
- (4) Mientras sujete el extremo del hilo, deslice la palanca de enhebrado del áncora inferior hacia la izquierda para que vuelva a su posición normal.
- (5) Asegúrese de que las marcas en forma de triángulo rosadas queden bien alineadas.

PRECAUCIONES

Al deslizar la palanca del áncora inferior hacia la izquierda, asegúrese siempre que las dos marcas triangulares rosadas coincidan como se ilustra.

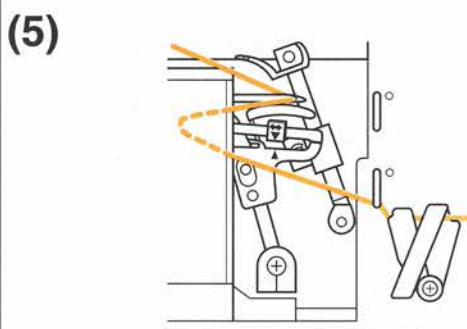
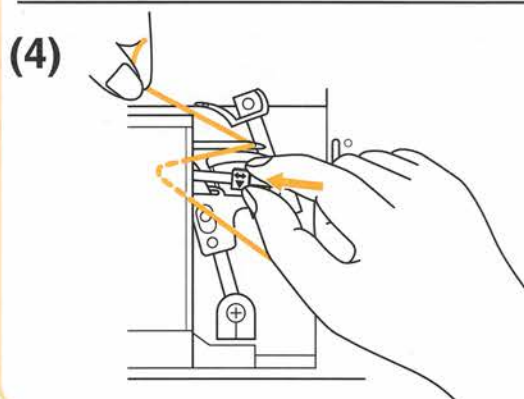
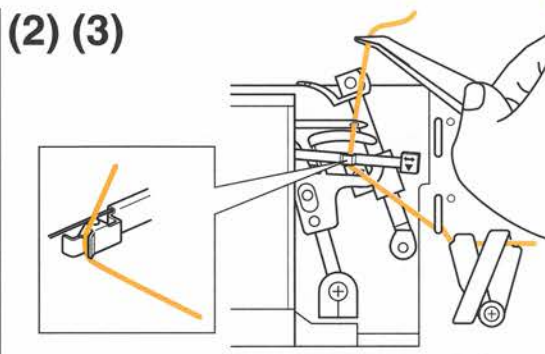
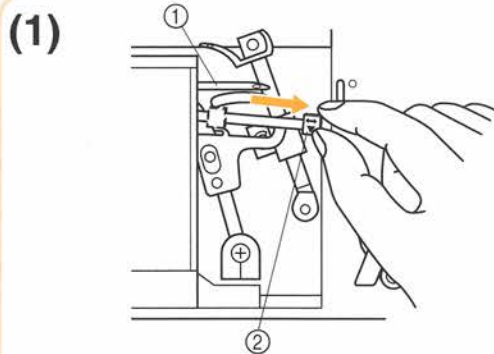
- ① Áncora inferior
- ② Palanca del áncora inferior

PRECAUCION

Enhebre siempre las agujas después de haber enhebrado las áncoras superior e inferior.

PRECAUCION

Deslice la palanca de enhebrado sólo en las direcciones mostradas por la flecha. Si mueve a la fuerza la palanca de enhebrado en cualquier otra dirección, podría dañarla.



Threading the right needle (on Two-needle models)

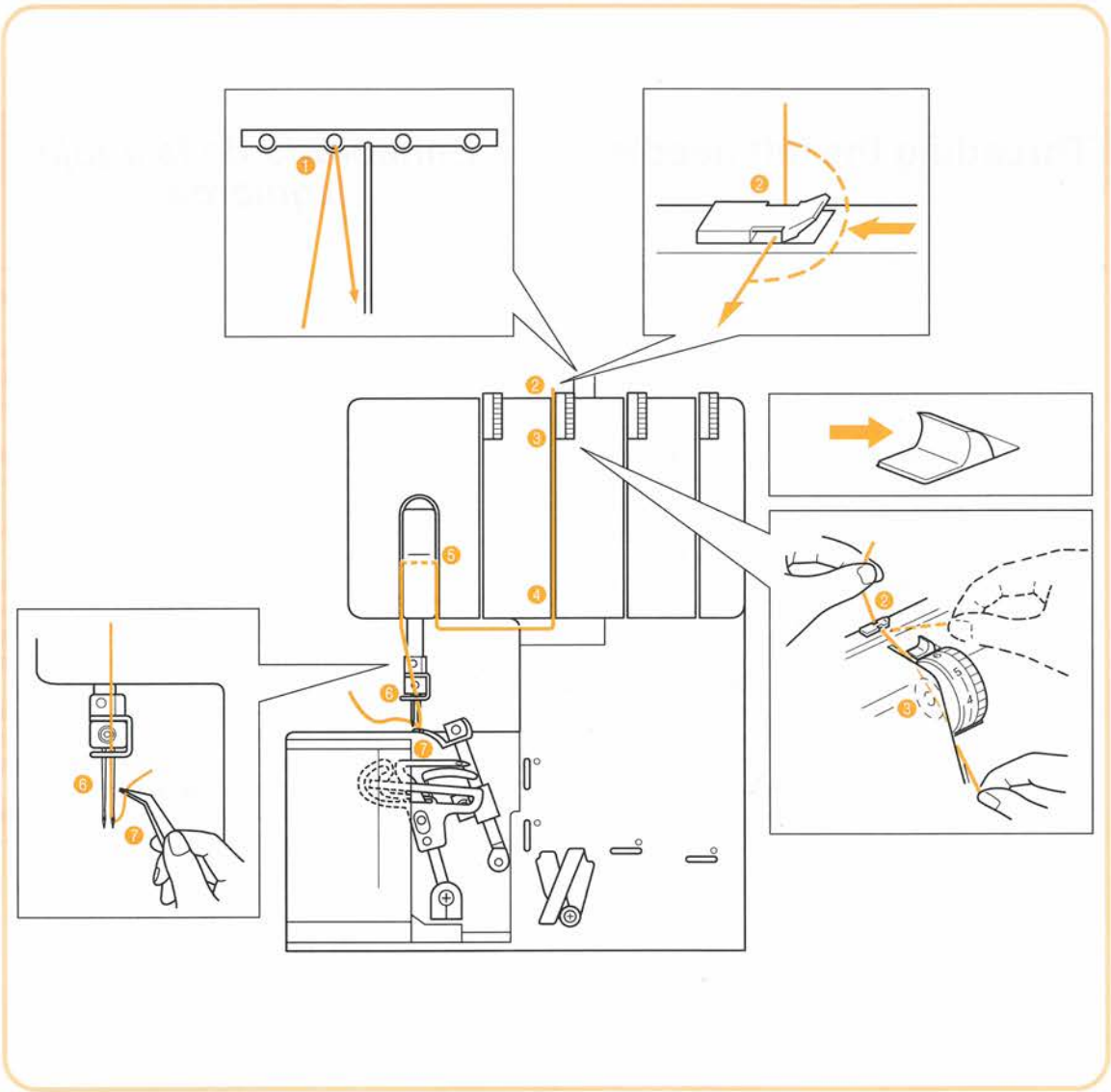
- Run the thread in the sequence illustrated on page 22, following the pink color and the numbers next to each threading point.

- ① Pull the thread off the spool and directly up through the thread guide on the thread tree from back to front.
- ② Pull the thread about an extra 15cm (6 inches) through the front of the thread tree.
- ③ Pass the thread through the proper thread guide.
- ④ Slide and hold the thread tension release button to the right, then pass the thread through the tension disc which is in the channel next to the pink tension adjustment dial. Release the button.
- ⑤ Guide the thread down the channel and across through the threading points next to the pink color marks following the numerical order in the accompanying illustration.
- ⑥ Bring the thread down through the guide 7 above the needle and through the right needle from front to back.

Enhebrado de la aguja derecha (los modelos de dos agujas)

- Enhebre la aguja tal como está ilustrado en la secuencia (en la página 22), respetando el color rosa y los números inscritos al lado de cada punto de enhebrado.

- ① Saque el hilo del carrete y póngalo directamente por la guía de enhebrado del árbol de enhebrado desde detrás a delante.
- ② Tire del hilo otros 15 cm aproximadamente por la parte delantera del árbol de enhebrado.
- ③ Pase el hilo por la guía de hilo correspondiente.
- ④ Deslice y retenga el botón de liberación de la tensión del hilo hacia la derecha, y pase el hilo por el disco de tensión que es el canal situado al lado del disco de ajuste de la tensión rosado. Suelte el botón.
- ⑤ Guíe el hilo por el canal y pase el hilo a través de los puntos de enhebrado al lado de las marcas de color rosa siguiendo el orden numérico de la ilustración.
- ⑥ Baje el hilo por la guía 7 por encima de la aguja y por la aguja derecha desde delante a atrás.

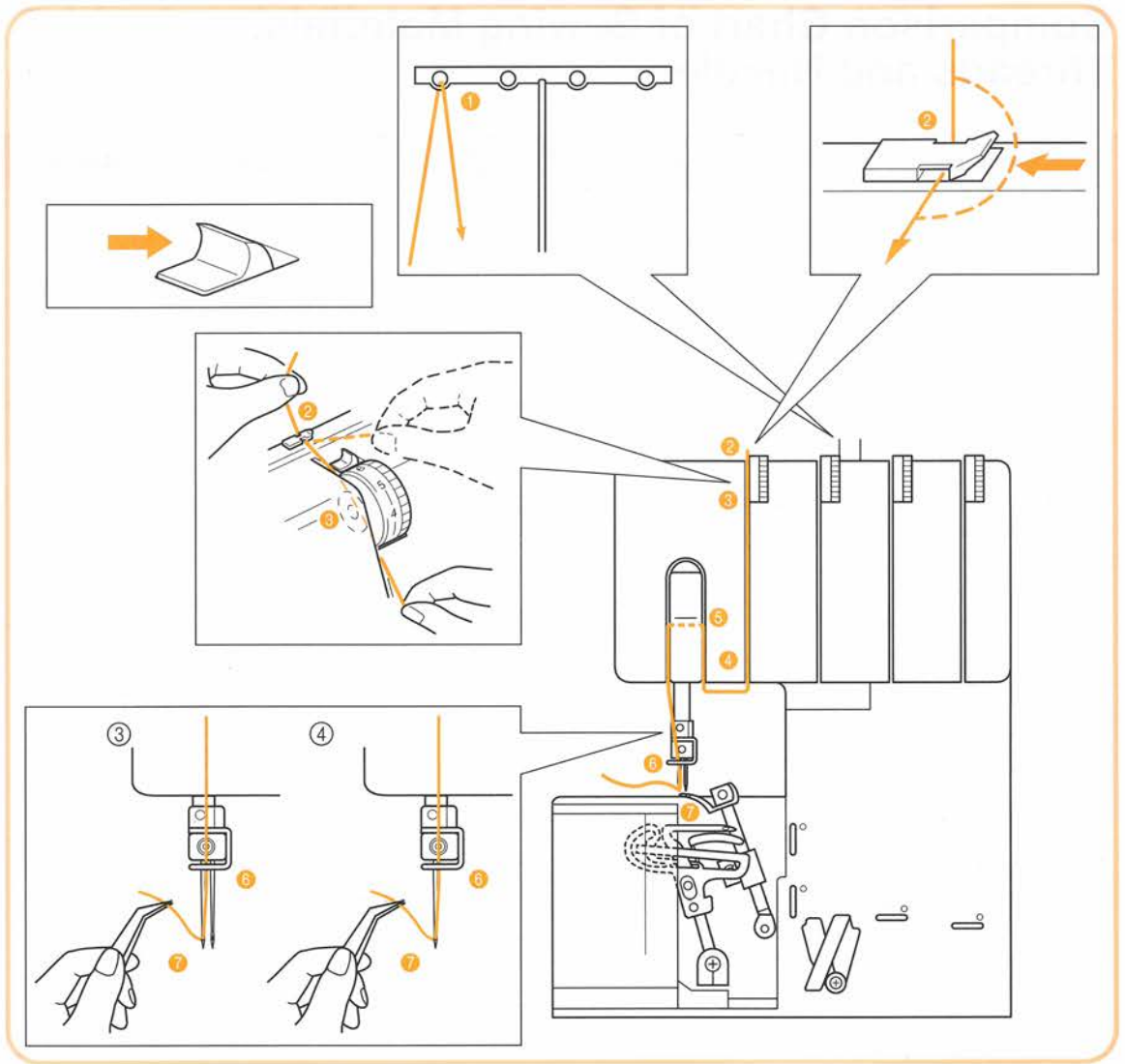


Threading the left needle

- Run the thread in the sequence illustrated, following the yellow color and the numbers next to each threading point.
 - ① Pull the thread off the spool and directly up through the thread guide on the thread tree from back to front.
 - ② Pull the thread about an extra 15cm (6 inches) through the front of the thread tree.
 - ③ Pass the thread through the proper thread guide.
 - ④ Slide and hold the thread tension release button to the right, then pass the thread through the tension disc which is in the channel next to the yellow tension adjustment dial. Release the button.
 - ⑤ Guide the thread down the channel and across through the threading points next to the yellow color marks following the numerical order in the accompanying illustration.
 - ⑥ Bring the thread down through the guide 7 above the needle and through the left needle from front to back.

Enhebrado de la aguja izquierda

- *Enhebre la aguja tal como ilustrado en la secuencia, respetando el color amarillo y los números inscritos al lado de cada punto de enhebrado.*
 - ① *Saque el hilo del carrete y póngalo directamente por la guía de enhebrado del árbol de enhebrado desde detrás a delante.*
 - ② *Tire del hilo otros 15 cm aproximadamente por la parte delantera del árbol de enhebrado.*
 - ③ *Pase el hilo por la guía de hilo correspondiente.*
 - ④ *Deslice y retenga el botón de liberación de la tensión del hilo hacia la derecha, y pase el hilo por el disco de tensión que es el canal situado al lado del disco de ajuste de la tensión amarillo. Suelte el botón.*
 - ⑤ *Guíe el hilo por el canal y pase el hilo a través de los puntos de enhebrado al lado de las marcas de color amarillo siguiendo el orden numérico de la ilustración.*
 - ⑥ *Baje el hilo por la guía 7 por encima de la aguja y por la aguja izquierda desde delante a atrás.*



Comparison Chart of Sewing Materials, Threads and Needles

Material	Stitch	Stitch Length (mm)	Thread	Needle
Light materials Crepe de chine Georgette Lawn Organdy Tricot	Overlock stitch	2.0-3.0	Spun : #80 Cotton : #80-100 Silk : #80-100	SCHMETZ 130/705H #70 #80
Light materials Crepe de chine Georgette Lawn Organdy	Narrow/rolled Hem stitch	Smaller than 2.0	Needle thread Polyester : #80 Nylon : #80 Looper thread Polyester : #80 Nylon : #80 Woolly nylon thread	SCHMETZ 130/705H #70 #80
Medium materials Poplin Gingham Seersucker Gabardine Serge Knitted	Overlock stitch	2.5-3.5	Spun : #60-80 Cotton : #60-80 Silk : #50-80 Nylon : #50-80 Polyester : #50-80	SCHMETZ 130/705H #80 #90
Heavy materials Cashmere Tweed Denim Jersey	Overlock stitch	3.0-4.0	Cotton : #40-60 Silk : #40-60 Polyester : #30-60 Nylon : #30-60	SCHMETZ 130/705H #90

NOTE:

Decorative thread will work best in the upperlooper for fashion sewing.

Tabla de relación entre los distintos tejidos, hilos y agujas

Tejido	Puntada	Largo de puntada (mm)	Hilo	Aguja
Tejidos finos Crepe de China Georgette Lino Organdí Tricot	Puntadas Overlock	2,0 - 3,0	Hilo de hilvanar : n°80 Algodón : n°80 - 100 Seda : n°80 - 100	SCHMETZ 130/705H n°70 n°80
Tejidos finos Crepe de China Georgette Lino Organdí	Estrechadas/ Puntadas de doblado enrollado	Inferior a 2,0	Hilo de las agujas Poliéster : n° 80 Nilón : n°80 Hilo del áncora Poliéster : n° 80 Nilón : n°80 Hilo de nilón tipo lana	SCHMETZ 130/705H n°70 n°80
Tejidos medios Popelina Guinga Crespón de algodón Gabardina Sarga Prendas de punto	Puntadas Overlock	2,5 - 3,5	Hilo de hilvanar : n°60 - 80 Algodón : n°60 - 80 Seda : n°50 - 80 Nilón : n°50 - 80 Poliéster : n°50 - 80	SCHMETZ 130/705H n°80 n°90
Tejidos gruesos Cashemir Tweed Tejano Jersey	Puntada Overlock	3,0 - 4,0	Algodón : n°40 - 60 Seda : n°40 - 60 Poliéster : n°30 - 60 Nilón : n°30 - 60	SCHMETZ 130/705H n°90

NOTA:

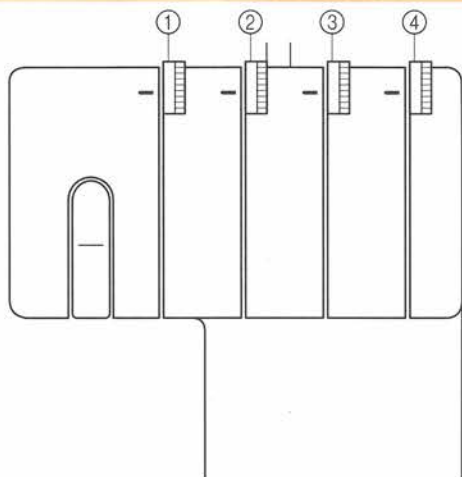
Un hilo decorativo dará mejores resultados en el áncora superior para la costura de prendas de moda.

Thread Tension

Thread tension dial

From the left to right:

- ① Yellow marked tension disc is for left needle.
- ② Pink marked tension disc is for right needle.
- ③ Green marked tension disc is for upperlooper.
- ④ Blue marked tension disc is for lowerlooper.
- ⑤ Tension selection mark.
- ⑥ Dial up to decrease tension.
- ⑦ Dial down to increase tension.

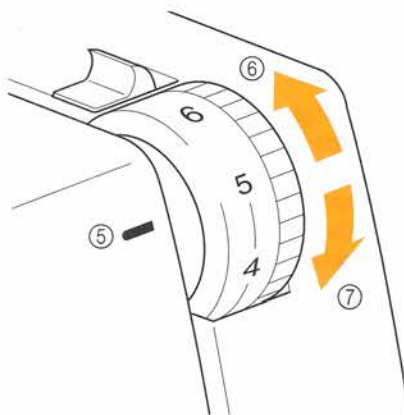


Tensión del hilo

Disco de tensión del hilo

Desde la izquierda a la derecha:

- ① El disco de tensión con marca amarilla es para la aguja izquierda.
- ② El disco de tensión con marca rosada es para la aguja derecha.
- ③ El disco de tensión con marca verde es para el áncora superior.
- ④ El disco de tensión con marca azul es para el áncora inferior.
- ⑤ Marca de selección de tensión.
- ⑥ Disco hacia arriba para reducir la tensión.
- ⑦ Disco hacia abajo para aumentar la tensión.



CAUTION

Make sure that the thread is properly seated in the tension discs by holding the tension release button to the right while passing the thread through the tension discs.

PRECAUCION

Asegúrese de que el hilo esté bien colocado en los discos de tensión reteniendo el botón de liberación de la tensión a la derecha mientras pasa el hilo por los discos de tensión.

Tension control

Sewing is possible at position "4" for most circumstances. If improper stitching occurs, adjust the tension according to the drawing below.

(Standard: SPAN 60/3Z)

Para controlar la tensión

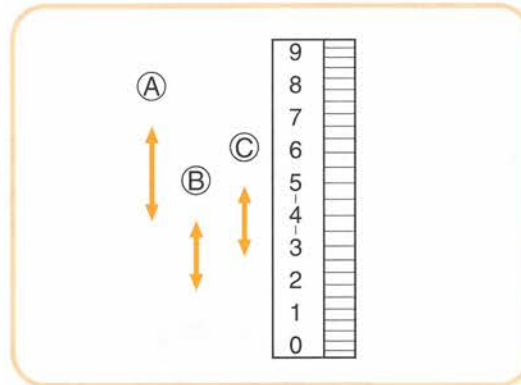
Se puede coser en la posición "4", en la mayoría de los casos. Si las puntadas resultan inadecuadas, ajuste la tensión de conformidad con el dibujo representado a continuación.

(estandard: hilo de algodón n° 50)

Ⓐ for heavy tension
(set from 4 to 7)

Ⓑ for light tension
(set from 4 to 2)

Ⓒ for medium tension
(set from 5 to 3)



Ⓐ Para tensión fuerte
(ajuste entre 4 y 7)

Ⓑ Para tensión ligera
(ajuste entre 4 y 2)

Ⓒ Para tensión media
(ajuste entre 5 y 3)

- There is a thread tension adjustment dial for each needle thread, the lowerlooper thread and the upperlooper thread. The correct thread tension may vary according to the type and thickness of the fabric and the type of thread used. Thread tension adjustments may be necessary for any change in sewing materials.

If the stitch quality is insufficient, select a different tension setting from the illustration on the previous or following pages.

Adjusting the thread tension

- (1) To select the correct tension, refer to the illustration on the previous page.
- (2) If you cannot find the correct tension, refer to the illustrations "In this case" on following pages.

- Existe un disco de ajuste de tensión para el hilo de cada aguja, el hilo del áncora superior y el del áncora inferior. La tensión de hilo correcta puede variar dependiendo del tipo y grosor del tejido así como del tipo de hilo utilizado. Ajustes de tensión del hilo pueden revelarse necesarios al cambiar de materiales de costura.

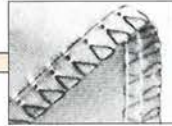
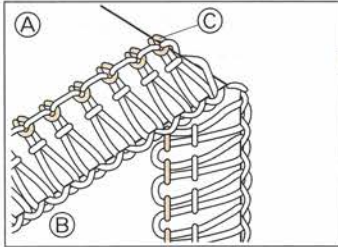
Si la calidad de las puntadas resulta insuficiente, conviene seleccionar un ajuste de tensión distinto en la ilustración representada en las páginas siguientes o anteriores.

Ajuste de la tensión del hilo

- (1) Elija la tensión correcta, refiriéndose a la ilustración de la página anterior.
- (2) Si no puede encontrar la tensión correcta, consulte las ilustraciones de "casos particulares" en las siguientes páginas.

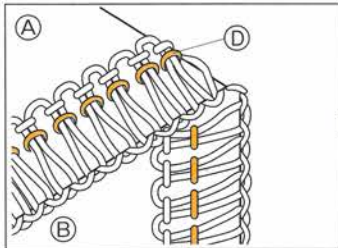
Chart of Thread Tension Adjustment

Two-needle (Four-thread)

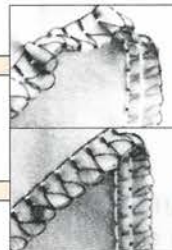
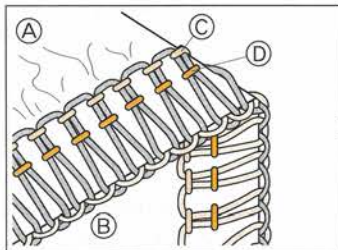


Left needle thread is loose.
El hilo de la aguja izquierda está suelto.

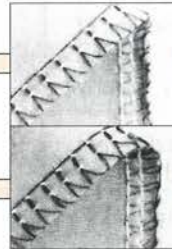
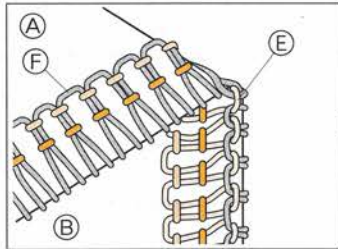
- (A) Reverse *Revés*
- (B) Surface *Derecho*
- (C) Left needle thread *Hilo de la aguja izquierda*
- (D) Right needle thread *Hilo de la aguja derecha*
- (E) Upperlooper thread *Hilo del áncora superior*
- (F) Lowerlooper thread *Hilo del áncora inferior*



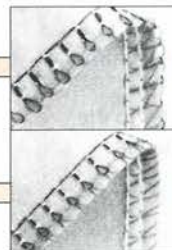
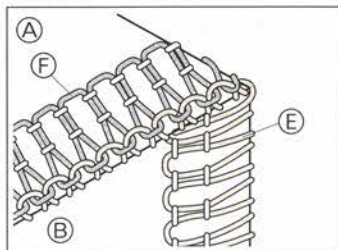
Right needle thread is loose.
El hilo de la aguja derecha está suelto.



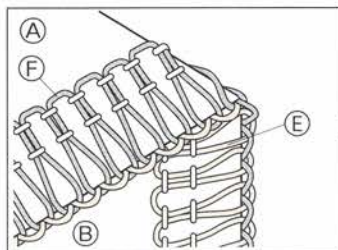
Left needle thread is tight.
El hilo de la aguja izquierda está tendido.



Right needle thread is tight.
El hilo de la aguja derecha está tendido.



Upperlooper thread is tight.
El hilo del áncora superior está tendido.



Lowerlooper thread is loose.
El hilo del áncora inferior está suelto.



Upperlooper thread is loose.
El hilo del áncora superior está suelto.

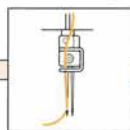
Lowerlooper thread is tight.
El hilo del áncora inferior está tendido.

Upperlooper thread is loose.
El hilo del áncora superior está suelto.

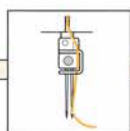
Lowerlooper thread is loose.
El hilo del áncora inferior está flojo.

Tabla de ajuste de tensión de los hilos

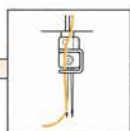
Dos agujas (cuatro hilos)



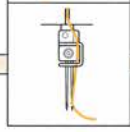
Tighten left needle thread. (yellow)
Tienda el hilo de la aguja izquierda.
 (Amarillo)



Tighten right needle thread. (pink)
Tienda el hilo de la aguja derecha.
 (Rosado)



Loosen left needle thread. (yellow)
Afloje el hilo de la aguja izquierda.
 (Amarillo)



Loosen right needle thread (pink)
Afloje el hilo de la aguja derecha.
 (Rosado)



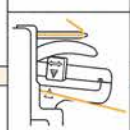
Loosen upperlooper thread (green)
Afloje el hilo del áncora superior. (Verde)



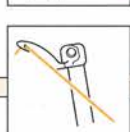
Tighten lowerlooper thread (blue)
Tienda el hilo del áncora inferior. (Azul)



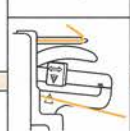
Tighten upperlooper thread (green)
Tienda el hilo del áncora superior. (Verde)



Loosen lowerlooper thread (blue)
Afloje el hilo del áncora inferior. (Azul)



Tighten upperlooper thread (green)
Tienda el hilo del áncora superior. (Verde)



Tighten lowerlooper thread (blue)
Tienda el hilo del áncora inferior. (Azul)

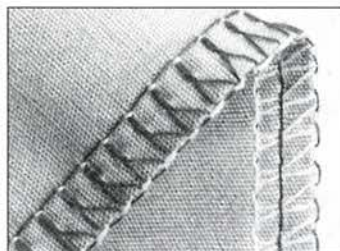
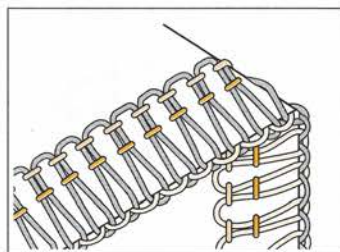
NOTE:

Order of thread tension adjustment

When you adjust the thread tension, do it in the following order:

- (1) Left needle thread
- (2) Right needle thread
- (3) Upperlooper thread
- (4) Lowerlooper thread

This is the easiest way to obtain the correct thread tension.



NOTA:

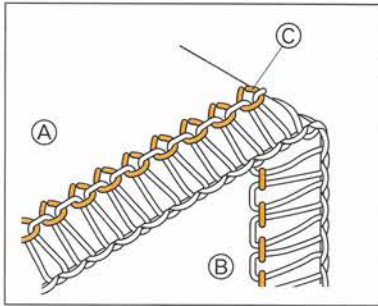
Orden de ajuste de tensión de los hilos

Al ajustar la tensión de los hilos, se debe hacerlo en el orden siguiente:

- (1) Hilo de la aguja izquierda
- (2) Hilo de la aguja derecha
- (3) Hilo del áncora superior
- (4) Hilo del áncora inferior

Es la mejor forma de lograr una tensión de hilo correcta.

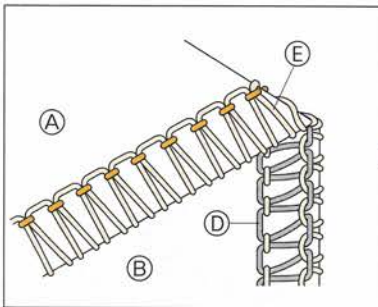
One-needle (Three-thread)



- (A) Reverse *Revés*
- (B) Surface *Derecho*
- (C) Needle thread *Hilo de la aguja*
- (D) Upper looper thread *Hilo del áncora superior*
- (E) Lower looper thread *Hilo del áncora inferior*

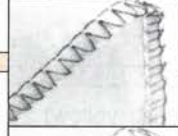


Needle thread is loose.
El hilo de la aguja está suelto.

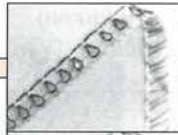
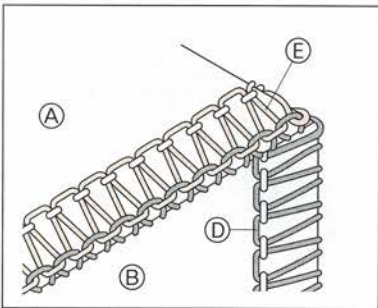


Fabric puckers
Frunces

Upper looper thread is tight.
El hilo del áncora superior está tendido.

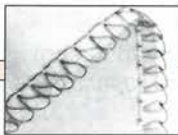
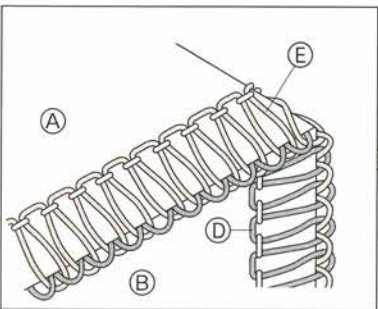


Lower looper thread is loose.
El hilo del áncora inferior está suelto.



Upper looper thread is loose.
El hilo del áncora superior está suelto.

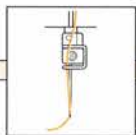
Lower looper thread is tight.
El hilo del áncora inferior está tendido.



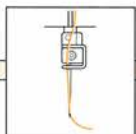
Upper looper thread is loose.
El hilo del áncora superior está suelto.

Lower looper thread is loose.
El hilo del áncora inferior está flojo.

Una aguja (tres hilos)



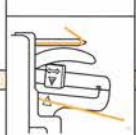
Tighten needle thread. (yellow)
Tienda el hilo de la aguja. (Amarillo)



Loosen needle thread. (yellow)
Afloje el hilo de la aguja. (Amarillo)



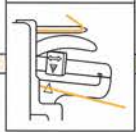
Loosen upperlooper thread (green)
Afloje el hilo del áncora superior. (Verde)



Tighten lowerlooper thread (blue)
Tienda el hilo del áncora inferior. (Azul)



Tighten upperlooper thread (green)
Tienda el hilo del áncora superior. (Verde)



Loosen lowerlooper thread (blue)
Afloje el hilo del áncora inferior. (Azul)



Tighten upperlooper thread (green)
Tienda el hilo del áncora superior. (Verde)



Tighten lowerlooper thread (blue)
Tienda el hilo del áncora inferior. (Azul)

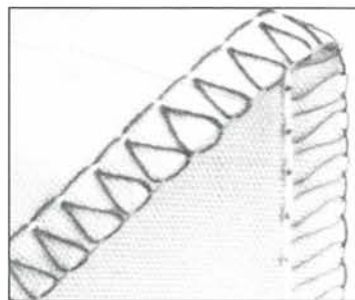
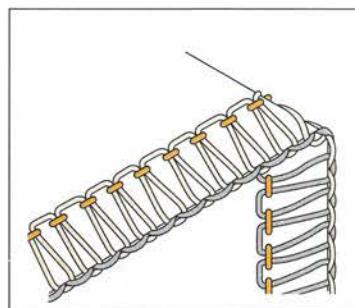
NOTE:

Order of thread tension adjustment

When you adjust the thread tension, do it in the following order:

- (1) Needle thread
- (2) Upperlooper thread
- (3) Lowerlooper thread

This is the easiest way to obtain the correct thread tension.



NOTA:

Orden de ajuste de tensión de los hilos

Al ajustar la tensión de los hilos, se debe hacerlo en el orden siguiente:

- (1) Hilo de la aguja
- (2) Hilo del áncora superior
- (3) Hilo del áncora inferior

Es la mejor forma de lograr una tensión de hilo correcta.

Test-sewing

- Test-sew after threading.
- (1) Place a piece of scrap material under the presser foot for test sewing.

NOTE:

Always lift the presser foot before placing the fabric under it. Just running the fabric under the foot without lifting the presser foot may cause an uneven seam.

- (2) Holding the needle threads with your left hand, turn the pulley slowly a few times in the counter clockwise direction with your right hand, and check to see that the threads entwine themselves before using the foot pedal to sew.

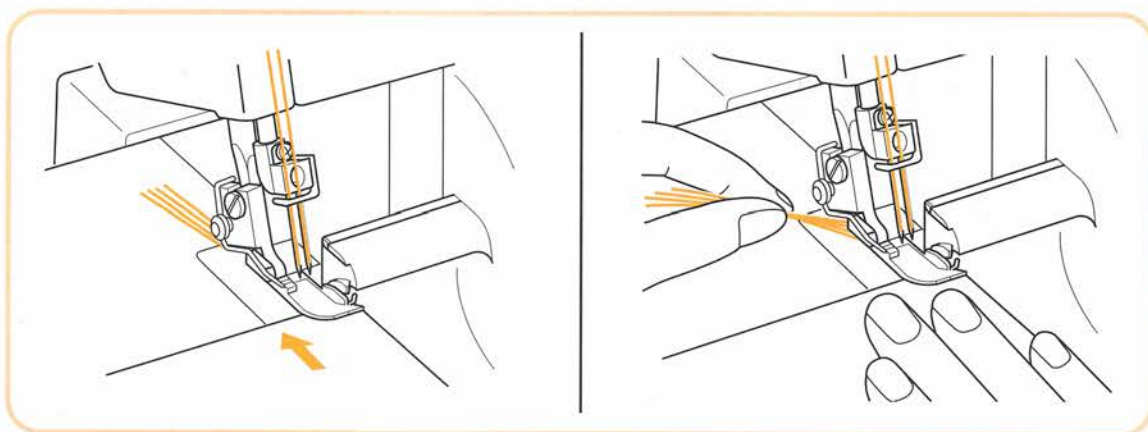
Costura de prueba

- Haga una prueba después de enhebrar.
- (1) Coloque el trozo de tejido debajo del prensatelas.

NOTA:

Levante siempre el prensatelas antes de colocar el tejido debajo. El mero hecho de colocar el tejido debajo del prensatelas sin levantarlo puede causar una costura desigual.

- (2) Mientras sujete los hilos de las agujas con la mano izquierda, gire la polea despacio un par de veces en el sentido contrario al de las manecillas del reloj con la mano derecha, y averigüe que los hilos se enganchen antes de utilizar el prensatelas para coser.



Chaining-off

- After test-sewing, continue to depress the foot controller slightly and chain off 4 inches. The threads will entwine themselves into a chain automatically.

NOTE:

If the thread tension is not correctly balanced, the chaining-off result will be uneven.

If this happens, pull the threads slightly. Check the threading order and adjust the thread tension to create an even chain. (See page 25.)

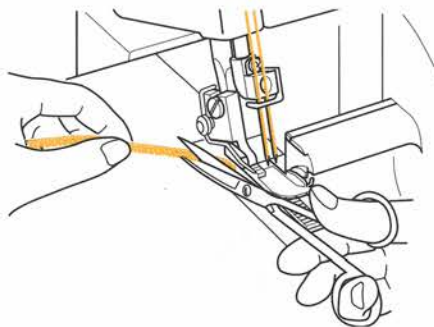
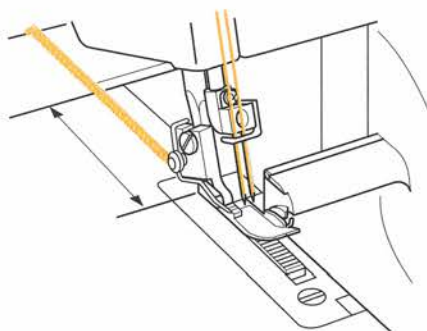
Cadeneta

- Después de la costura de prueba, siga apretando el pedal y haga una cadeneta de unos 10 cm. Los hilos van a engancharse automáticamente en forma de cadena.

NOTA:

Si la tensión de los hilos no queda bien ajustada, la cadeneta resultará desigual.

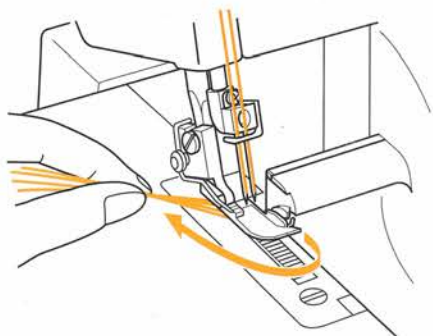
En este caso, tire para sacar un poco los hilos. Compruebe el orden de enhebrado y ajuste la tensión del hilo para crear una cadeneta uniforme. (Vea la página 26.)



Sewing

To start sewing

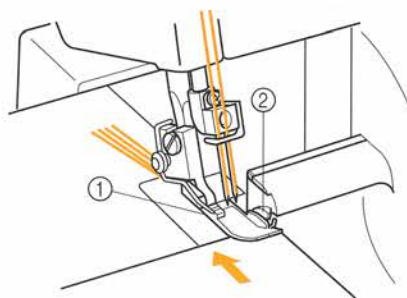
- Thread the machine and pull the threads out about 15 cm (6 inches) behind the presser foot.
- Lift the presser foot and place the material well underneath the presser foot before starting to sew. Slowly sew a few stitches by turning the pulley by hand.
- The fabric will be fed automatically. You need only guide it in the required direction.
- Check the stitch formation (stitch chain) to see if it is uniform. If the stitch is not uniform, re-check that the threading has been done properly and in sequence.
- Follow the Seam Allowance Guide (3/8, 1/2, 5/8, 1") for consistent cutting of the fabric seams.
 - ① Presser foot
 - ② Upper knife



Costura

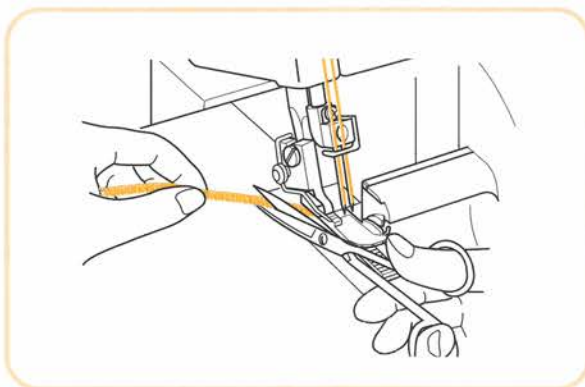
Para empezar a coser

- *Enhebre la máquina y saque unos 15 cm de hilo detrás del prensatelas*
- *Levante el prensatelas y coloque bien el tejido debajo del prensatelas antes de empezar a coser. Cosa lentamente algunas puntada girando la polea con la mano.*
- *El tejido adelantará solo, automáticamente. Sólo hará falta guiarlo en la dirección deseada.*
- *Compruebe la información de las puntadas (en la cadeneta) para ver quedan uniformes. Si las puntadas no son uniformes, vuelva a comprobar que el hilo esté bien enhebrado y según la secuencia adecuada.*
- *Siga la Guía de Tolerancia de Costura (0,9 mm, 1,2 cm, 1,5 cm, 2,5 cm) para poder cortar adecuadamente las costuras de los tejidos.*
 - ① Prensatelas
 - ② Cuchilla superior



To remove work

- When the seam is finished, keep the machine running at a low speed to obtain chaining-off. Then cut the stitches 5 cm (2 inches) from the work. If feeding for chaining-off is not enough, pull the thread gently.



Para retirar el trabajo

- Una vez terminada la costura, siga cosiendo a baja velocidad para formar una cadeneta. Luego, corte las puntadas a unos 5 cm del trabajo. Si la alimentación no resulta suficiente como para crear una cadeneta, tire suavemente del hilo.

If threads break during sewing

- Remove the material and re-thread in the correct order. Upperlooper, Lowerlooper, right needle and then the left needle. Replace the material under the presser foot and sew 3-5 cm (1-1/8 to 2 inches) over the previous stitches.

CAUTION

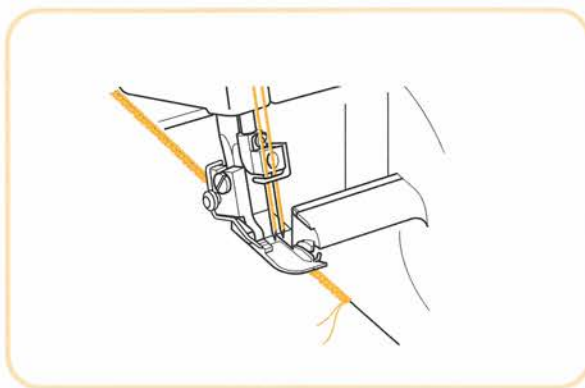
Do not leave straight pins in the fabric when sewing as they will damage the needles and knives.

Si el hilo se rompe al coser

- Quite el tejido y vuelva a enhebrar en el orden correcto. Ancora superior, áncora inferior, aguja derecha y luego aguja izquierda.

PRECAUCION

Nunca deje alfileres en el tejido al coser ya que podrían romper las agujas y cuchillas.

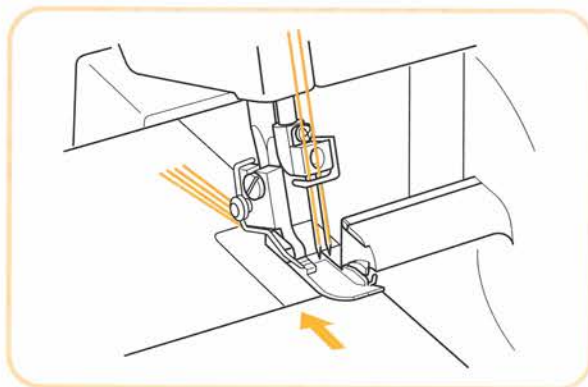


To sew heavy materials

- Place the material underneath the presser foot until it touches the front of the upper knife. Start sewing.
- Do not lift the presser foot while sewing.

Para coser tejidos gruesos

- Coloque el tejido debajo del prensatelas hasta que toque la parte delantera de la cuchilla superior. Empiece a coser.
- No levante el prensatelas al coser.



To sew fine materials

- (1) Adjust the presser foot to prevent the material from puckering and to allow sewing of curves. (See next page.)
- (2) Loosen the thread tension, but remember that if the tension is too loose, the thread may break and stitches may be skipped.
- (3) Dull knives will not cut a clean seam, and will also cause the fabric to pucker. The cutting knives need to be replaced if you notice the fabric puckering while sewing.

Para coser tejidos finos

- (1) Ajuste la presión para que el tejido no se doble y también para permitir la costura de curvas. (Vea la página siguiente.)
- (2) Disminuya la tensión del hilo pero no olvide sin embargo que si la tensión queda demasiada floja, el hilo se puede romper y algunas puntadas podrían saltarse.
- (3) Unas cuchillas gastadas no pueden cortar una costura bien hecha y pueden ocasionar arrugas en el tejido. Las cuchillas deben ser cambiadas si nota que el tejido se frunce al coser.

Presser foot pressure

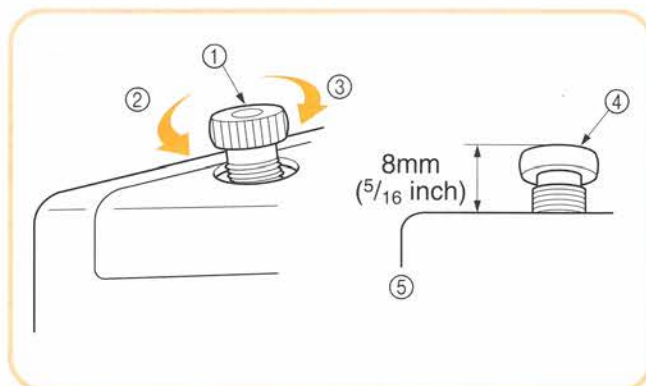
- The pressure of the presser foot can be adjusted by turning the pressure adjustment screw at the top left of this machine. Since this machine has already been adjusted to a pressure suitable for light to medium fabrics, no further adjustment is necessary except when sewing on very heavy or very light materials. Usually, when sewing on very light materials, the presser foot pressure should be loosened. When sewing very heavy materials, the presser foot pressure should be tightened.

- ① Pressure adjustment screw
- ② Less pressure
- ③ More pressure
- ④ Pressure adjustment screw
- ⑤ (Standard height for medium material)

Presión del prensatelas

- La presión del prensatelas puede ajustarse al girar el tornillo de ajuste de presión, en la parte superior izquierda de la máquina. Dado que la máquina ya ha sido ajustada para tener una presión conveniente para los tejidos finos y medios, no requiere ningún ajuste suplementario si no es para coser tejidos muy gruesos o muy delgados. En general, al coser tejidos muy finos, la presión del prensatelas debe ser floja y, al contrario, debe ser más fuerte para coser tejidos gruesos.

- ① Tornillo de ajuste de la presión
- ② Menos presión
- ③ Más presión
- ④ Tornillo de ajuste de la presión
- ⑤ (altura estándar para tejidos medios)



Troubleshooting

This sewing machine is designed for trouble-free operation. However, the following chart indicates trouble which may occur if basic adjustments are not made properly.

Trouble	Cause	Remedy
1. Does not feed	Presser foot pressure too loose	Turn the pressure adjustment screw clockwise to increase the presser foot pressure.
2. Needles break	1. Needles bent, or needle tip blunt	Replace with new needle.
	2. Needles incorrectly installed	Install needles correctly. (See page 5.)
	3. Material pulled forcibly	Do not press or pull material too hard when sewing.
3. Threads break	1. Improper threading	Thread correctly. (See pages 14~24.)
	2. Thread tangled	Check spool pin, thread holders, etc. and remove tangled thread.
	3. Thread tension too tight	See pages 27~32, "Thread tension".
	4. Needles incorrectly installed	Install needles correctly. (See page 5.)
	5. Wrong needle used	Use correct needle Schmetz 130/705H – suggested
4. Skipped stitches	1. Needle bent, or needle tip blunt	Replace with new needle.
	2. Needle incorrectly installed	Install needle correctly. (See page 5.)
	3. Wrong needle used	Use correct needle. Schmetz 130/705H – suggested
	4. Improper threading	Thread correctly. (See pages 14~24.)
	5. Presser foot pressure too loose	Turn the pressure adjustment screw clockwise to increase the presser foot pressure.
5. Stitches are not uniform	Thread tensions are not adjusted properly	See pages 27~32, "Thread tension".
6. Fabric is puckered	1. Thread tension too tight	Decrease thread tension when sewing light-weight or fine material. (See pages 27~32.)
	2. Improper threading or thread tangled	Thread correctly. (See pages 14~24.)

Guía de localización de fallas

Esta máquina de coser ha sido concebida para un funcionamiento sin problemas. Sin embargo, la siguiente tabla le indica los problemas que podrían presentarse si los ajustes básicos no fueron realizados correctamente.

Problema	Causa	Remedio
1. No se alimenta el tejido.	La presión del prensatelas es insuficiente	Gire el tornillo de ajuste de la presión en el sentido de las manecillas de un reloj para aumentar la presión del prensatelas.
2. Las agujas se rompen	1. Las agujas se doblan o sus puntas están rotas.	Cambie la aguja por una nueva.
	2. Las agujas están mal colocadas.	Vuelva a colocar las agujas correctamente. (Véase página 5)
	3. Se hizo fuerza en el tejido.	No apriete ni tire del tejido demasiado fuerte al coser.
3. Los hilos se rompen	1. Los hilos están mal enhebrados.	Enhebre los hilos correctamente. (Véase páginas 14 a 24)
	2. Los hilos están enredados.	Averigüe el eje de la canilla, los filetes de los carretes e hilos, etc. y retire cualquier hilo enredado.
	3. La tensión de los hilos es demasiado fuerte.	Véase páginas 27 a 32, "Tensión de los hilos".
	4. Las agujas están mal colocadas.	Coloque las agujas correctamente. (Véase página 5)
	5. Se está usando una aguja inadecuada.	Utilice la aguja que corresponde. Schmetz 130/705H (recomendación)
4. Se saltan puntadas	1. La aguja está doblada o la punta está rota.	Cambie la aguja por una nueva.
	2. La aguja está mal colocada.	Coloque la aguja correctamente. (Véase página 5)
	3. La aguja es inadecuada.	Utilice la aguja que corresponde. Schmetz 130/705H (recomendación)
	4. El hilo está mal enhebrado.	Enhebre los hilos correctamente. (Véase las páginas 14 a 24)
	5. La presión del prensatelas es insuficiente.	Gire el tornillo de ajuste de la presión en el sentido de las manecillas de un reloj para incrementar la presión del prensatelas.
5. Las puntadas no quedan uniformes	Las tensiones de los hilos no fueron bien ajustadas.	Véase las páginas 27 a 32, "Tensión de los hilos".
6. El tejido está arrugada	1. La tensión del hilo es demasiado fuerte.	Disminuya la tensión de los hilos al coser tejidos finos o ligeros. (Véase las páginas 27 a 32).
	2. Los hilos están mal enhebrados o están enredados.	Enhebre los hilos correctamente. (Véase las páginas 14 a 24)

Stitch Selection

Two-needle models

- This sewing machine can sew five different stitches by following the simple steps below:

(1) Four-thread overlock stitch

Use all four threads and two needles for producing four-thread overlock stitches.

Use: Ideal for sewing knits and wovens.

(2) Three-thread overlock stitch (5 mm/3/16 inch)

Use three threads and the left needle, producing 5 mm seams, which works with all kinds of materials.

Use: For overlock stitching on suits, blouses, slacks, etc.

NOTE:

Remove the right needle when sewing this overlock stitch.

(3) Three-thread overlock stitch (2.8 mm/1/8 inch)

Use three threads and the right needle, producing 2.8 mm (1/8 inch) seams.

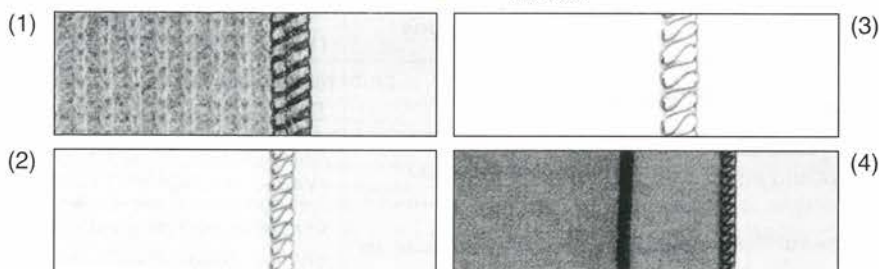
Use: For overlock stitching on suits, blouses, slacks, etc.

NOTE:

Remove the left needle when sewing this overlock stitch.

(4) Narrow/rolled hemming stitches (2.0mm/1/32 inch)

Use as decorative or finishing stitch.



One-needle models

- This sewing machine can sew two different stitches.

(1) Three-thread overlock stitch (3.5 mm/9/64 inch)

Use: For overlock stitching on suits, blouses, slacks, etc.

(2) Narrow/rolled hemming stitches (2.0mm/1/32 inch)

Use as decorative or finishing stitch.



Selección de las distintas puntadas

Modelos de dos agujas

- Esta máquina de coser puede realizar 5 puntadas distintas en unas operaciones simples, tales como se indican a continuación.

(1) Puntada Overlock de cuatro hilos

Utilice los cuatro hilos y las dos agujas para realizar puntadas overlock de cuatro hilos.

Uso: ideal para coser prendas de punto y tejidos.

(2) Puntada Overlock de tres hilos (5 mm)

Utilice tres hilos y la aguja izquierda, para producir costuras de 5 mm, que convienen para todo tipo de tejido.

Uso: Para puntadas Overlock, en trajes, blusas, pantalones, etc.

NOTA:

Retire la aguja derecha para coser con esta puntada Overlock.

(3) Puntada Overlock de tres hilos (2,8 mm)

Utilice tres hilos y la aguja derecha, para producir costuras de 2,8 mm, que convienen para todo tipo de tejido.

Uso: Para puntadas Overlock y para coser trajes, blusas, pantalones, etc.

NOTA:

Retire la aguja izquierda para coser con esta puntada Overlock.

(4) Puntadas Overlock estrechas, de dobladillo enrollado. (2,0 mm)

Se utilizan a fines decorativas, en las puntadas finales.

Modelos de una aguja

- Esta máquina de coser puede realizar 2 puntadas distintas.

(1) Puntada Overlock de tres hilos (3,5 mm)

Uso: Para puntadas Overlock, en trajes, blusas, pantalones, etc.

(2) Puntadas Overlock estrechas, de dobladillo enrollado. (2,0 mm)

Se utilizan a fines decorativas, en las puntadas finales.

Narrow overlock stitch/ rolled edge stitch

The Narrow overlock/Rolled edge stitche is a decorative finish for lightweight to midweight fabrics. It is often used to complete the edge of a fabric. This stitch is sewn by removing the left needle and using the 3-thread overlock stitch.

Instructions for both Narrow overlock/Rolled edge Stitches

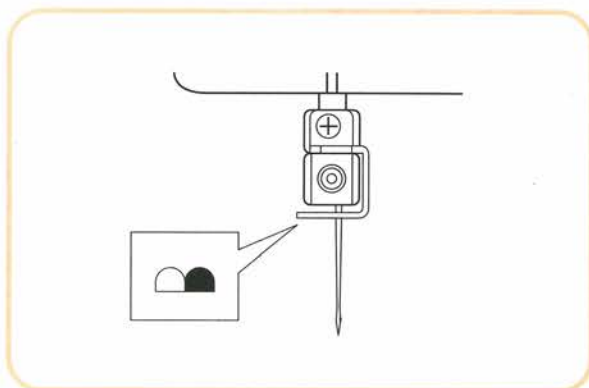
(1) Remove the left needle (on Two-needle models).

Puntada overlock estrecha/ puntada de borde enrollado

La puntada overlock estrecha/de borde enrollado constituye un acabado decorativo para tejidos finos y medios. Se usan a menudo para terminar los bordes de los tejidos. Se obtiene esta puntada retirando la aguja izquierda y haciendo uso de la puntada overlock de tres hilos.

Instrucciones para las puntadas overlock estrechas/de borde enrollado

(1) Retire la aguja izquierda (en los modelos de dos agujas).



(2) It is recommended that a #80 Nylon or Polyester thread be used on the following fabric:

Georgette
Rayon
Linen/Light Cotton
Broad Cloth

(3) Thread the machine for a three thread overlock, using the right needle.

(4) Remove the stitch finger.

- ① Raise the presser foot lever.
- ② Pull all threads toward the back of the machine.
- ③ Check to make sure that the thread is no longer wrapped around the stitch finger.
- ④ Open the front cover.
- ⑤ Turn the hand wheel until the upperlooper is at its lowest position.

(2) Se recomienda usar un hilo de nilón o poliéster n° 80 para los siguientes tejidos:

Georgette
Rayón
Lino/algodón fino
Paño fino

(3) Enhebre la máquina como para puntadas overlock de tres hilos, usando la aguja derecha.

(4) Retire la uñeta de las puntadas.

- ① Levante la palanca del prensatelas.
- ② Tire todos los hilos hacia la parte trasera de la máquina.
- ③ Averigüe que el hilo no quede enrollado alrededor de la uñeta de puntadas.
- ④ Abra la tapa delantera.
- ⑤ Gire la ruedecilla hasta que el áncora superior llegue a su posición más baja.

- ⑥ Press the stitch finger release lever to remove the stitch finger.
- ⑦ Storage for the stitch finger is provided on the inside of the front cover illustrated.

NOTE:

Make sure to install stitch finger when sewing regular overlock stitches.

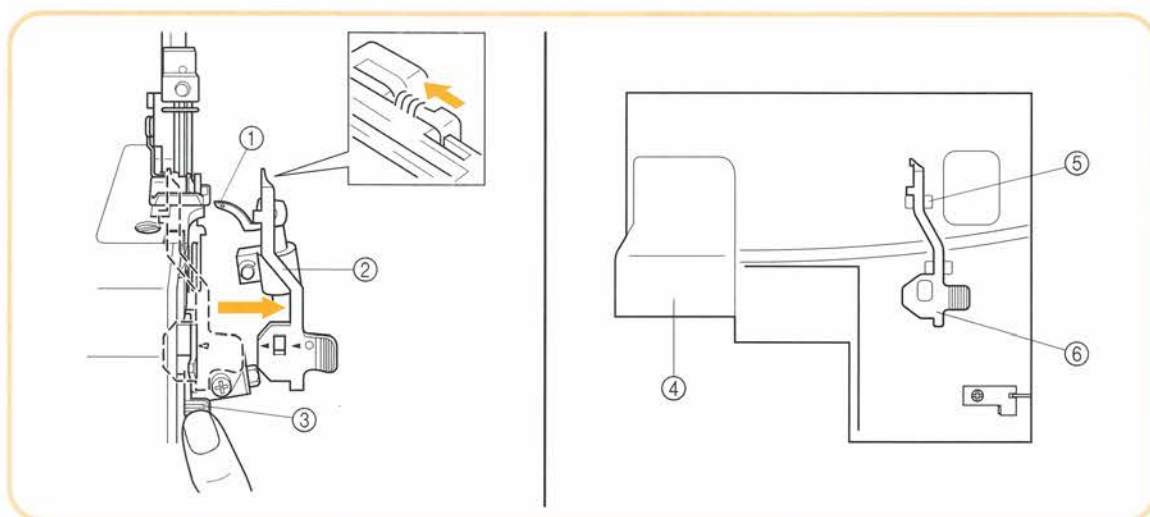
- ① Upperlooper
- ② Stitch finger
- ③ Stitch finger release lever
- ④ Front cover
- ⑤ Stitch finger holder
- ⑥ Stitch finger

- ⑥ *Apriete la palanca de liberación de la uñeta de puntadas para retirar la uñeta.*
- ⑦ *El alojamiento de la uñeta de puntada se encuentra en el interior de la tapa delantera ilustrada.*

NOTA:

Asegúrese siempre de instalar la uñeta de puntadas antes de coser con puntadas overlock normales.

- ① *Ancora superior*
- ② *Uñeta de puntadas*
- ③ *Palanca de la uñeta de puntadas*
- ④ *Tapad elantera*
- ⑤ *Soporte para uñeta de puntada*
- ⑥ *Uñeta de puntadas*



- (5) Adjust the stitch width for rolled hemming. Move the stitch width lever (located on the left side of the machine toward the front) up to the "R" position.

- ⑦ Stitch width lever
- ⑧ Needle plate with stitch finger removed

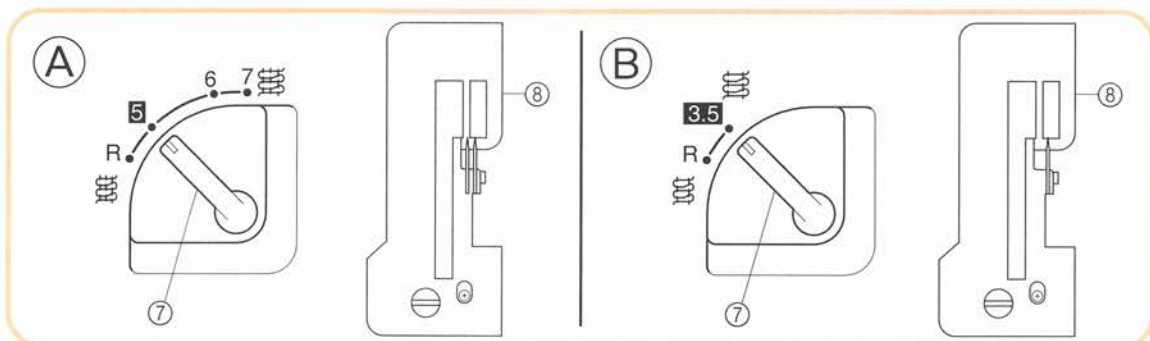
- (A) Two-needle models
- (B) One-needle models

- (5) *Ajuste el ancho de las puntadas para borde enrollado.*

Mueva la palanca de anchura de las puntadas (situada a la izquierda de la máquina, hacia adelante) hacia la posición "R".

- ⑦ *Palanca de anchura de las puntadas*
- ⑧ *Placa de aguja con uñeta de puntadas extraída*

- (A) *Modelos de dos agujas*
- (B) *Modelos de una aguja*

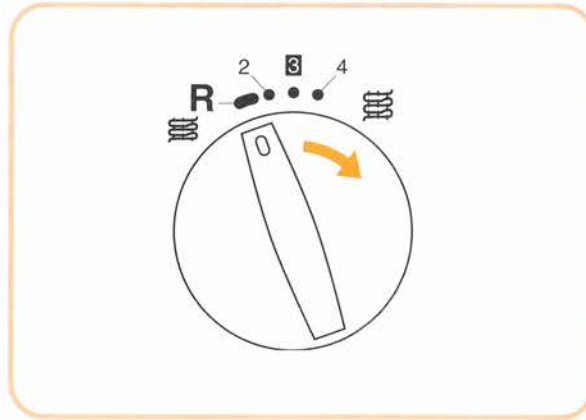


(6) Adjust the stitch length.

Set the stitch length adjustment lever to "R" position as shown in the illustration. This adjustment is suitable for either Narrow Overlock stitch or Rolled Edge stitch.

(6) Ajuste el largo de las puntadas.

Coloque la palanca de ajuste del largo de las puntadas en la posición "R" tal como lo muestra la ilustración. Este ajuste conviene tanto para las puntadas overlock estrechas como para las de dobladillo enrollado.



To Do Rolled Edge Stitch

This application rolls the edge of the fabric inside of the hem stitch. The lowerlooper tension should be tightened. This pulls the upperlooper thread causing the edge of the fabric to fold around the remaining stitch finger. After completing steps (1) through (6) above, adjust your machine to these recommended thread tension settings:

Upperlooper thread tension at 1-4

Lowerlooper thread tension at 5-7

Right needle thread tension at 4

Tension may vary slightly according to the fabric and thread used.

Para realizar puntadas de borde enrollado

Esta función permite meter el borde del tejido en las puntadas de dobladillo. Para poder realizarlo, conviene aumentar la tensión del ánclora inferior. Así, se tira del hilo del ánclora superior y el borde del tejido se dobla alrededor de la uñeta remanente. Después de implementar las operaciones (1) a (6) indicadas arriba, se recomienda ajustar la máquina en los siguientes valores de tensión de hilo:

Tensión del hilo del ánclora superior entre 1-4

Tensión del hilo del ánclora inferior entre 5-7

Tensión del hilo de la aguja derecha en 4.

La tensión puede variar ligeramente según los tejidos e hilos utilizados.

To Do Narrow Overlock Stitch

This is a decorative application used for finishing the edge of the fabric. After completing steps (1) through (6) above, adjust the thread tension to achieve a normal 3-thread overlock stitch.

Recommended thread tension settings are:

All thread tensions should be set at 4

Tension may vary slightly according to the fabric and thread used.

Para realizar puntadas overlock estrechas

Esta función decorativa conviene para mejor terminar el borde del tejido. Después de los puntos (1) a (6) indicados arriba, ajuste las tensiones de los hilos con vistas a lograr una puntada overlock normal de tres hilos. Los ajustes de tensión recomendados son:

Todas las tensiones de los hilos deben estar en 4. La tensión puede variar dependiendo de los tejidos e hilos utilizados.

Chart of Narrow Overlock/Rolled Edge Stitch

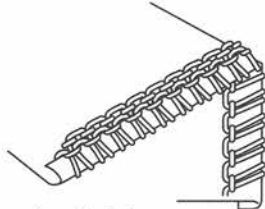
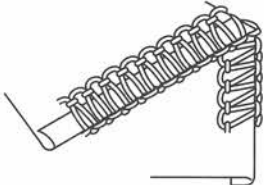
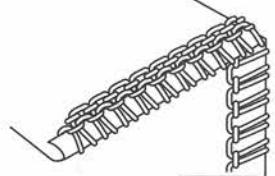
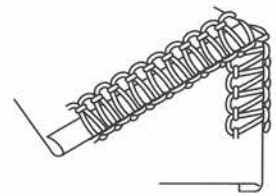
	Rolled edge stitch	Narrow overlock stitch
Stitch Style	Underside of material  Top of material	Underside of material  Top of material
Fabrics	Light material Crepe de chine Georgette Lawn Organdie	Light material Crepe de chine Georgette Lawn Organdie
Needle thread	Nylon thread #80 Polyester thread #80	Nylon thread #80 Polyester thread #80
Upperlooper thread	Woolly nylon thread Decorative thread	Woolly nylon thread Nylon thread #80 Polyester thread #80
Lowerlooper thread	Nylon thread #80 Polyester thread #80	Nylon thread #80 Polyester thread #80
Stitch Length	R	R
Stitch Width	R.5 (Two-needle models) R (One-needle models)	R.5 (Two-needle models) R (One-needle models)
Stitch Finger	Removed	Removed
Thread Tension		
Needle Thread	4 (3 – 5)	4 (3 – 5)
Upperlooper Thread	3 (1 – 4)	4 (3 – 5)
Lowerlooper Thread	6 (5 – 7)	4 (3 – 5)

Tabla para puntadas overlock estrechas/de borde enrollado

	Puntada de borde enrollado	Puntada overlock estrecha
<i>Estilo de puntada</i>	<p>Revés del tejido</p>  <p>Derecho</p>	<p>Revés del tejido</p>  <p>Derecho</p>
<i>Tejidos</i>	<p>Tejidos finos</p> <p>Crepe de China</p> <p>Georgette</p> <p>Lino</p> <p>Organdí</p>	<p>Tejidos finos</p> <p>Crepe de China</p> <p>Georgette</p> <p>Lino</p> <p>Organdí</p>
<i>Hilo de la aguja</i>	<p>Hilo de nilón n° 80</p> <p>Hilo de poliéster n° 80</p>	<p>Hilo de nilón n° 80</p> <p>Hilo de poliéster n° 80</p>
<i>Hilo del áncora superior</i>	<p>Hilo de nilón tipo lana</p> <p>Hilo decorativo</p>	<p>Hilo de nilón tipo lana</p> <p>Hilo de nilón n° 80</p> <p>Hilo de poliéster n° 80</p>
<i>Hilo del áncora inferior</i>	<p>Hilo de nilón n° 80</p> <p>Hilo de poliéster n° 80</p>	<p>Hilo de nilón n° 80</p> <p>Hilo de poliéster n° 80</p>
<i>Largo de puntada</i>	R	R
<i>Ancho de puntada</i>	<p>R.5 (Modelos de dos agujas)</p> <p>R (Modelos de una aguja)</p>	<p>R.5 (Modelos de dos agujas)</p> <p>R (Modelos de una aguja)</p>
<i>Uñeta de puntada</i>	Retirada	Retirada
<i>Tensión de los hilos</i>		
<i>Hilo de la aguja</i>	4 (3 ~ 5)	4 (3 ~ 5)
<i>Hilo del áncora superior</i>	3 (1 ~ 4)	4 (3 ~ 5)
<i>Hilo del áncora inferior</i>	6 (5 ~ 7)	4 (3 ~ 5)

Examples of Sewing Applications for this Serger

Features

- When using the blind stitch presser foot (multi purpose foot), you can sew blind stitches and overlock at the same time. This is ideal when sewing cuffs, trouser bottoms, pockets, and hemming skirts etc.
- The stitch guide on this foot is also useful when sewing special stitches like flatlock, pin tuck and other decorative stitches.
- This stitch guide is easily adjustable without using any tool.

How to change feet

- Turn off the main power switch or disconnect the electric supply plug.
- (1) Raise the presser foot lever. ①
 - (2) Set the needle to its highest position by turning the hand wheel ② counter clockwise.
 - (3) Push the button on the presser foot holder and the standard foot will be released. ③ ④
 - (4) Raise the presser foot farther by pushing the presser foot lever upward. Then remove the presser foot and store it in a safe location.
 - (5) Again, raise the presser foot farther by pushing the presser foot lever upward. Then place the blind stitch presser foot (multi purpose foot) just under the presser foot holder ⑤ so that the groove in the bottom of the presser foot holder ⑥ is aligned and catches the bar on the top of the foot ⑦. Then lower the presser foot lever to attach the foot.

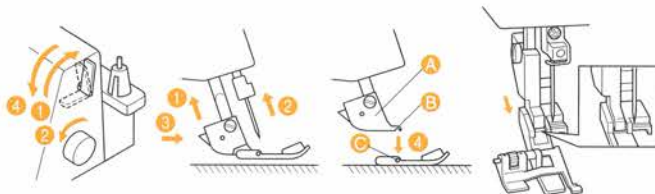
Ejemplos de aplicaciones de costuras para estas máquinas de coser

Características

- Al usar el prensatelas para puntadas invisibles (prensatelas multipropósito), se pueden coser puntadas invisibles al mismo tiempo que puntadas overlock. Esta función revela ser ideal para coser puños, bajos de pantalones, bolsillos, el dobladillo de faldas, etc.
- La guía de puntadas atada al prensatelas sirve también para coser puntadas especiales tales como las puntadas planas, de pliegues o otras puntadas decorativas.
- La guía de puntadas se ajusta fácilmente sin tener que utilizar herramientas.

Como cambiar los prensatelas

- Apague el interruptor principal o desconecte el enchufe de la toma de corriente.
- (1) Levante la palanca del prensatelas ①.
 - (2) Ponga la aguja en su posición más alta, girando la ruedecilla ② con la mano en el sentido contrario al de las manecillas de un reloj.
 - (3) Apriete el botón en el eje del prensatelas, lo que liberará el prensatelas colocado. ③ ④
 - (4) Levante aún más el prensatelas al apretar la palanca correspondiente hacia arriba. Luego, retire el prensatelas y guárdelo en un lugar seguro.
 - (5) Otra vez, levante aún más el prensatelas presionando la palanca del prensatelas hacia arriba. Entonces, coloque el prensatelas para puntadas invisibles (multipropósito) justo debajo del eje del prensatelas ⑤ a fin de que la ranura que se encuentra abajo del eje ⑥ se alinee y enganche la barra en la parte superior del prensatelas ⑦. Luego baje la palanca del prensatelas para sujetarlo.



Blind stitching with blind stitch presser foot

The Blind hem stitch is used for putting a near-invisible hem in garments or home decoration projects. Use it to hem pants, skirts, or draperies.

- Ⓐ Replace the presser foot with a blind stitch presser foot (multi purpose presser foot). (Refer to page 47.)
- Ⓑ Set up the machine for 3 thread overlock stitch with one needle in the left position (on Two-needle models).
 - The right needle should be removed.
- Ⓒ Turn the wrong side of the fabric out, fold the fabric once and then back to the required width, as illustrated.
 - Sewing will be easier if a crease is ironed into the folded fabric before sewing.
- Ⓓ Turn the handwheel counter clockwise and set the needle at its highest position.
- Ⓔ Lift the presser foot lever and insert the fabric with the folded edge on the left in such a way that the needle pierces just the folded edge as it sews.
- Ⓕ Lower the presser foot lever, adjust the fabric guide toward the folded edge.
- Ⓖ Adjust the guide position of the presser foot with the adjusting screw so that the needle is lightly touching the crease in the fabric. In this case, the thickness of the fabric is the criterion.

By turning the screw forward (toward you) the fabric guide will go to the right. By turning the screw backward (away from you) the fabric guide will go to the left.

 - To adjust the position of the fabric guide, a piece of the same fabric should be used to do a sewing test.
- Ⓗ While folding the fabric by hand, sew so that the needle just catches the edge of the crease.
- Ⓘ Open the fabric as shown in the illustration.
 - For best results, use a fine thread in a color that matches the fabric.

When done correctly, this stitch will be very hard to see on the right side of the fabric.

Puntadas invisibles con prensatelas multipropósito

Las puntadas de dobladillo invisibles sirven a colocar un dobladillo invisible en ropa o en obras de decoración interior. Utilícelas para hacer el dobladillo de pantalones, faldas, cortinas o sábanas.

- Ⓐ Cambie el prensatelas normal por un prensatelas para puntadas invisibles (prensatelas multipropósito) (véase página 47).
- Ⓑ Ajuste la máquina en la puntada overlock de tres hilos con una aguja a la izquierda (en los modelos de dos agujas).
 - Se debe retirar la aguja derecha.
- Ⓒ Ponga el tejido al revés, dóblelo una vez y luego vuelva a ponerlo a la anchura deseada, tal como ilustrado.
 - La costura resultará más fácil si se plancha un pliegue en el tejido doblado antes de coser.
- Ⓓ Gire la ruedecilla en el sentido contrario al de las manecillas de un reloj y ponga la aguja en su posición más alta.
- Ⓔ Levante la palanca del prensatelas e inserte el tejido con el borde doblado a la izquierda para que la aguja pase justo por el borde doblado al coser.
- Ⓕ Baje la palanca del prensatelas y ajuste la guía de tejido hacia el borde doblado.
- Ⓖ Ajuste la posición de la guía del prensatelas por medio del tornillo de ajuste para que la aguja toque apenas el pliegue del tejido. En este caso, se debe considerar lo grueso del tejido como referencia. Al girar el tornillo hacia delante (hacia usted), la guía de tejido se desplazará hacia la derecha y al girarlo hacia atrás (alejándose de usted), la guía de tejido se desplazará a la izquierda.
- Para ajustar la posición de la guía de tejido, conviene utilizar un pedazo del mismo tejido para hacer una prueba de costura.
- Ⓗ Doblando el tejido con la mano, cuesa de tal forma que la aguja pique el borde del doblado.
- Ⓘ Abra el tejido como ilustrado.
 - Para mejores resultados utilice un hilo fino cuyo color corresponde al color del tejido. Si se efectúa correctamente, será muy difícil ver la puntada en el derecho del tejido.

NOTE:

The following are the recommended setting.

Stitch Width :5 mm (Two-needle models)
3.5 mm (One-needle models)

Stitch Length :3 ~ 4 mm

Needle Thread Tension :Slightly Slackened (0-2)

Upper Loper Thread Tension :Slightly Tightened
(5-7)

Lower Loper Thread Tension :Slightly Slackened
(2-4)

Test sew on a scrap of the fabric to adjust the fabric guide and the thread tension.

- ① Reverse
- ② Needle path
- ③ Adjusting screw
- ④ Fabric guide

NOTA:

Los ajustes recomendados son los siguientes:

Ancho de puntada :5 mm (Modelos de dos agujas)
3,5 mm (Modelos de una aguja)

Largo de puntada :3 - 4 mm

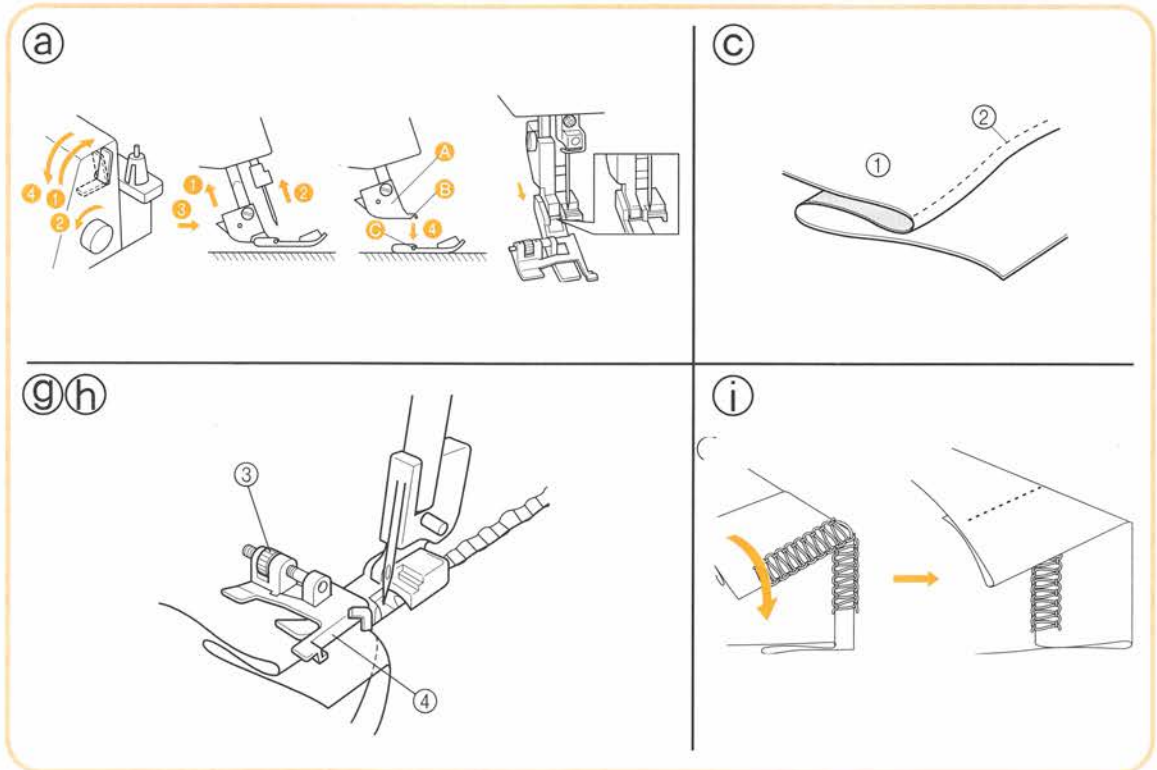
Tensión del hilo de la aguja :bastante floja (0-2)

Tensión del hilo del áncora superior :bastante
apretada
(5-7)

Tensión del hilo del áncora inferior :bastante floja
(2-4)

Haga una prueba de costura en un pedazo de tejido para poder ajustar adecuadamente la guía de tejido y la tensión de los hilos.

- ① Revés
- ② Paso de la aguja
- ③ Tornillo de ajuste
- ④ Guía del tejido



Flatlock stitching with blind stitch presser foot

The Flatlock stitch is primarily used as a decorative finish on a project. The finished stitch can look like a ladder or small parallel lines when the fabric is pulled flat. Either stitch finish can be used on the right side of the fabric. If you sew with the wrong sides together, the upper looper thread will decorate the right side when pulled flat. If you sew with the right sides together, the needle thread ladder will decorate the right side when pulled flat.

- a) Replace the presser foot with a blind stitch presser foot (multi purpose presser foot). (Refer to page 47.)
- b) Set up the machine for 3 thread overlock with one needle in the left position (on Two-needle models).
 - The right needle should be removed.
- c) Fold the fabric as shown in the illustration.
- d) Turn the handwheel counter clockwise to set the needle at its highest position.
- e) Lift the presser foot lever and insert the fabric with the folded edge in such a way that the needle pierces just on the fold.
- f) Lower the presser foot lever, adjust the fabric guide toward the folded edge.
- g) Adjust the guide position of the presser foot with the adjusting screw so that the needle moves down to a position 1/8 inch (2.5–3.0 mm) inside the folded edge of the fabric, so that some of the stitching loops over the edge.

By turning the screw forward (toward you) the fabric guide will go to the right. By turning the screw backward (away from you) the fabric guide will go to the left.
- To adjust the position of the fabric guide, a piece of the same fabric can be used to do a sewing test.
- h) While holding the fabric pieces together, sew at a constant speed down the fold.
- i) When stitching is finished, pull the fabric open (flat) as shown in the illustration.

Costura Overlock plana con prensatelas multipropósito

Las puntadas overlock planas se usan principalmente para lograr un finiquito decorativo en una obra. Una vez terminadas, las puntadas pueden parecerse a una escalera o a pequeñas líneas paralelas cuando se estira el tejido plano. Cualquier lado de las puntadas puede utilizarse en el derecho del tejido. Si va a coser con los reverses juntos, el hilo del áncora superior va a decorar el derecho al aplanar el tejido. Si cuese con los derechos juntos, la escalera del hilo de la aguja va a decorar el lado derecho al aplanar el tejido.

- a) Cambie el prensatelas por un prensatelas para puntadas invisibles (prensatelas multipropósito) (véase página 47).
- b) Ajuste la máquina en la puntada overlock de tres hilos con una aguja a la izquierda (en los modelos de dos agujas).
 - Conviene retirar la aguja derecha.
- c) Doble el tejido tal como ilustrado.
- d) Gire la ruedecilla en el sentido contrario al de las manecillas de un reloj y ponga la aguja en su posición más alta.
- e) Levante la palanca del prensatelas e inserte el tejido con el borde doblado a la izquierda para que la aguja pique justo en el borde doblado al coser.
- f) Baje la palanca del prensatelas y ajuste la guía de tejido hacia el borde doblado.
- g) Por medio del tornillo de ajuste, adapte la posición de la guía del prensatelas para que la aguja baje a una posición de 2,5 - 3 mm hacia dentro del borde doblado del tejido, de tal forma que algunas de las puntadas pasen por encima del borde. Al girar el tornillo hacia delante (hacia usted), la guía de tejido se desplazará hacia la derecha y al girarlo hacia atrás (alejándose de usted), la guía de tejido se desplazará a la izquierda.
- Para ajustar la posición de la guía de tejido, se puede utilizar un pedazo del mismo tejido para hacer una prueba de costura.
- h) Manteniendo los pedazos de tejido juntos, siga cosiendo todo el pliegue a velocidad constante.
- i) Al terminar la costura, abra el tejido (póngalo bien llano) tal como ilustrado.

- This method is not suitable for thin fabrics. The following are the recommended setting.
 Stitch Width :5 mm (Two-needle models)
 3.5 mm (One-needle models)
 Stitch Length :2 ~ 4 mm
 Needle Thread Tension :0-3
 Upper Loper Thread Tension :2-5
 Lower Loper Thread Tension :6-9

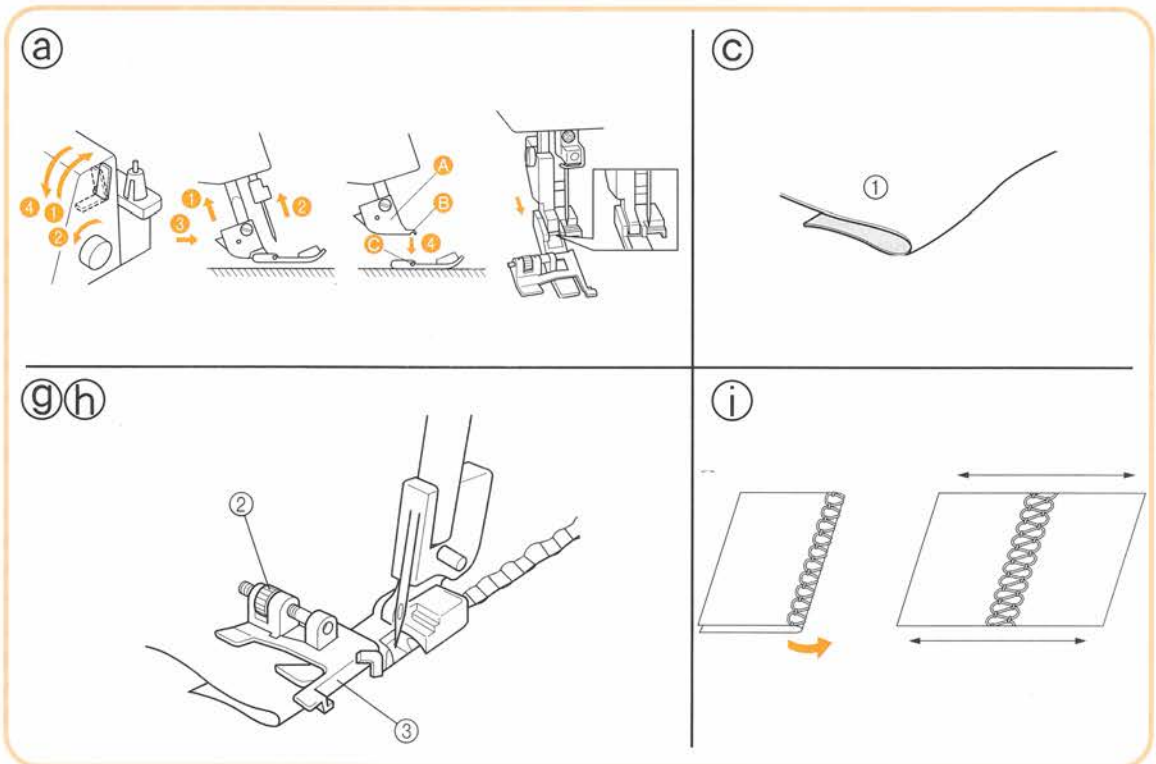
Test sew on a scrap of the fabric to adjust the fabric guide and the thread tension.

- ① Reverse
- ② Adjusting screw
- ③ Fabric guide

- *Este método no conviene para tejidos finos. Los ajustes recomendados son los siguientes:*
Ancho de puntada :5 mm (Modelos de dos agujas)
3,5 mm (Modelos de una aguja)
Largo de puntada :2 ~ 4 mm
Tensión del hilo de la aguja :0-3
Tensión del hilo del áncora superior :2-5
Tensión del hilo del áncora inferior :6-9

Haga una prueba de costura en un pedazo de tejido para poder ajustar adecuadamente la guía de tejido y la tensión de los hilos.

- ① Revés
- ② Tornillo de ajuste
- ③ Guía del tejido



Pin tuck stitching with blind stitch presser foot

The Pin tuck stitch uses a rolled edge to add shape and decoration to any sewing project. Fold the fabric on a line where the pin tuck is to be located and guide the fold through the serger. Contrasting thread in the upper looper adds an accent to your project.

Use the blind stitch presser foot to make narrow overlock stitches to produce seams in the form of tucks at equal distances from each other.

For thin fabrics, it's a good idea to choose a fine thread which will run smoothly.

- a Replace the presser foot with a blind stitch presser foot (multi purpose presser foot). (Refer to page 47.)
 - b Set up the machine for narrow overlock stitching. (Refer to pages 42–45.)
 - c Draw equally spaced lines on the fabric with a fabric pencil as guides for pin tuck placement. Fold the fabric along one of the lines and press in place lightly with an iron.
 - d Turn the handwheel counterclockwise to set the needle at its highest position.
 - e Lift the presser foot lever and insert the fabric with the folded edge in such a way that the needle pierces just the folded edge.
 - f Lower the presser foot lever, adjust the fabric guide toward the folded edge.
 - g Align the blind stitch presser foot guide with the line on the right side of the stitch finger. By turning the screw forward (toward you) the stitch guide will go to the right. By turning the screw backward (away from you) the stitch guide will go to the left.
 - h Align the fold with the guide and insert the fabric up to the needle position.
 - i Guide the fold in the fabric to sew half way between the needle and the upper knife.
 - j Continue sewing until all marked lines have been sewn.
- Correct minor contractions by hand.

Costuras de pliegues pequeños con prensatelas multipropósito

Las puntadas de pliegues pequeños usan un borde enrollado para agregar cierta forma y decoración a cualquier obra de costura. Doble el tejido en una línea donde quiere situar los pliegues y guie el doblado por la máquina. Un hilo de color que contraste en el áncora superior añade cierta nota a su obra.

Utilice el prensatelas multipropósito para coser puntadas overlock en flecha y producir costuras como pliegues a igual distancia cada una de la otra.

Para tejidos finos, le sugerimos elegir un hilo fino que corre fácilmente.

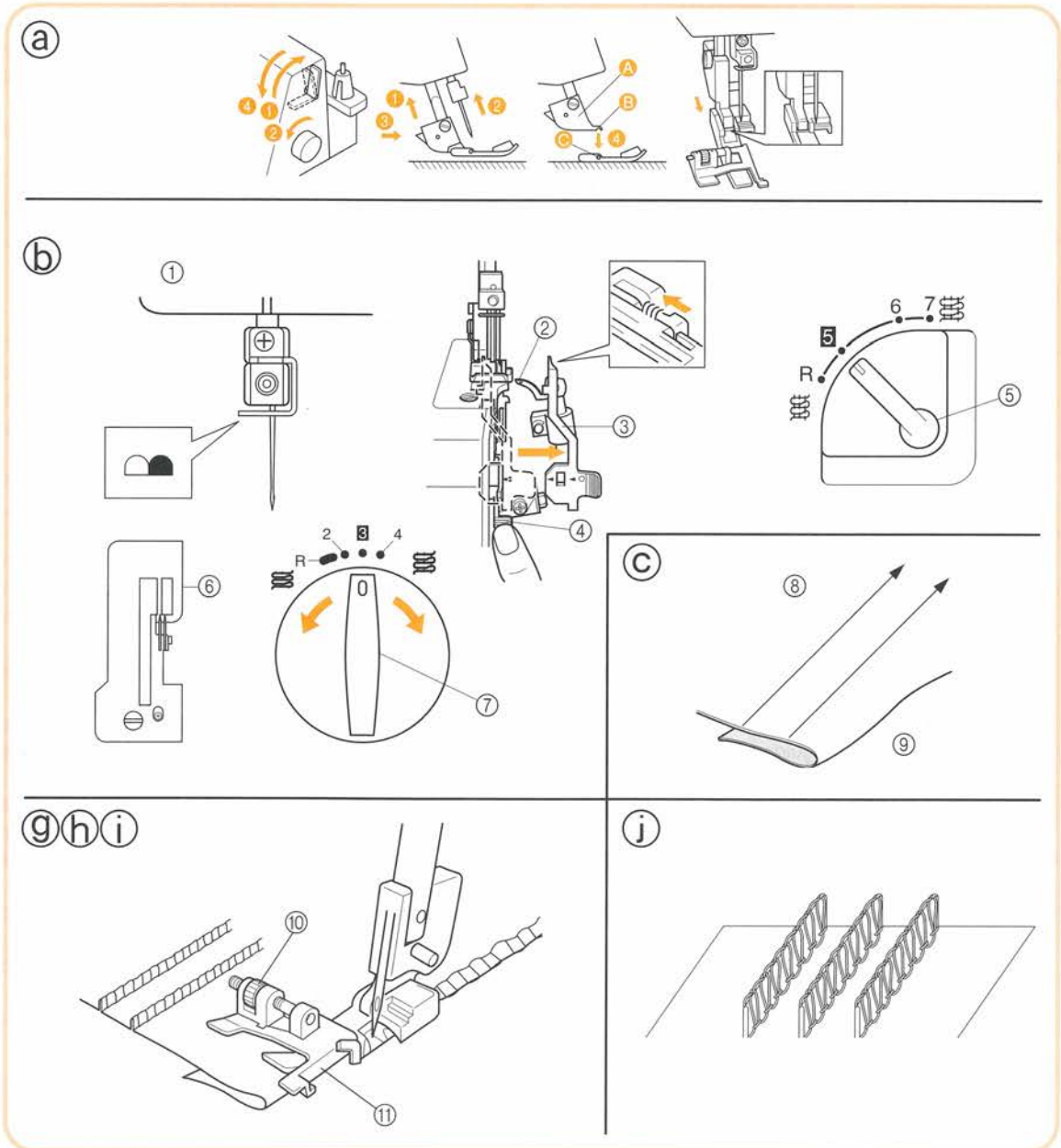
- a Cambie el prensatelas por un prensatelas para puntadas invisibles (prensatelas multipropósito) (véase página 47).
 - b Ajuste la máquina en la puntada overlock estrecha (véase páginas 42-46).
 - c Con un lápiz especial de costura, dibuje líneas en el tejido a igual distancia las unas de las otras para que sirvan de guías en la ubicación de los pliegues. Doble el tejido a lo largo de una línea y pláncelo un poco.
 - d Gire la ruedecilla en el sentido contrario al de las manecillas de un reloj y ponga la aguja en su posición más alta.
 - e Levante la palanca del prensatelas e inserte el tejido con el borde doblado a la izquierda para que la aguja pique justo en el borde doblado al coser.
 - f Baje la palanca del prensatelas y ajuste la guía de tejido hacia el borde doblado.
 - g Alinee la guía del prensatelas para puntadas invisibles en la línea a la derecha de la uñeta de puntadas. Al girar el tornillo hacia delante (hacia usted), la guía de tejido se desplazará hacia la derecha y al girarlo hacia atrás (alejándose de usted), la guía de tejido se desplazará a la izquierda.
 - h Alinee el doblado con la guía e inserte el tejido hasta la posición de la aguja.
 - i Guie el doblado del tejido para coser a medio camino entre la aguja y la cuchilla superior.
 - j Siga cosiendo hasta que todas las líneas marcadas hayan sido cosidas.
- Corrija las arrugas menores con la mano.

Test sew on a scrap of the fabric to adjust the fabric guide and the thread tension.

- ① On Two-needle models
- ② Upperlooper
- ③ Stitch finger
- ④ Stitch finger release lever
- ⑤ Stitch width lever
- ⑥ Regular needle plate
- ⑦ Stitch length adjustment lever
- ⑧ Making lines
- ⑨ Fold in two
- ⑩ Adjusting screw
- ⑪ Fabric guide

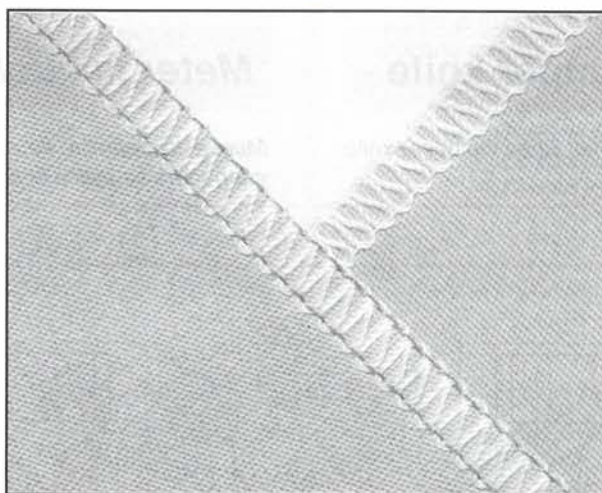
Haga una costura de prueba en un pedazo del tejido para poder ajustar adecuadamente la guía de tejido y la tensión de los hilos.

- ① En los modelos de dos agujas
- ② Ancora superior
- ③ Uñeta de puntadas
- ④ Palanca de la uñeta de puntadas
- ⑤ Palanca de anchura de las puntadas
- ⑥ Placa de aguja normal
- ⑦ Palanca de ajuste del largo de puntadas
- ⑧ Trazando líneas
- ⑨ Doblar en dos
- ⑩ Tornillo de ajuste
- ⑪ Guía de tejido



Decorative stitching

Attractive decorative stitches can be made through different combinations of fabric and thread. Decorative thread with a high thread count or extremely fine thread can be used in the upperlooper to produce decorative stitches to make any project more exciting.



Puntadas decorativas

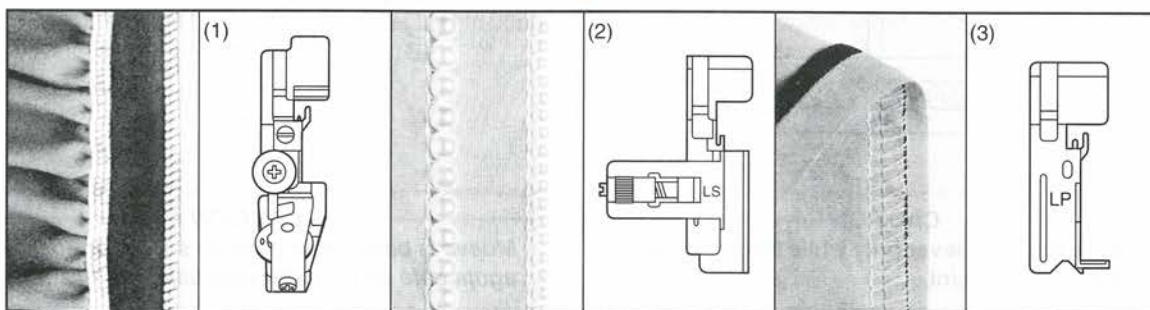
Se pueden hacer bonitas puntadas decorativas usando distintas combinaciones de tejidos e hilos. En el áncora superior se pueden usar hilos gruesos o extremadamente finos para lograr puntadas decorativas que permiten tener una obra más atractiva.

Other special purpose presser feet that are available

- (1) Tape presser foot
For all models: LT5
Parts No. X76663001
SA212 (U.S.A., CANADA)
- (2) Pearl sequence presser foot
Presser foot: LS
Parts No. XB0537001
- (3) Piping presser foot
Presser foot: LP
Parts No. XB0241101

Otros prensatelas especiales disponibles

- (1) Prensatelas para cintas
Para todos los modelos : LT5
Elemento No : X76663001
SA212 (EE.UU, CANADÁ)
- (2) Prensatelas para secuencias perlas
Prensatelas : LS
Elemento No : XB0537001
- (3) Prensatelas para ribeteados
Prensatelas : LP
Elemento No : XB0241101



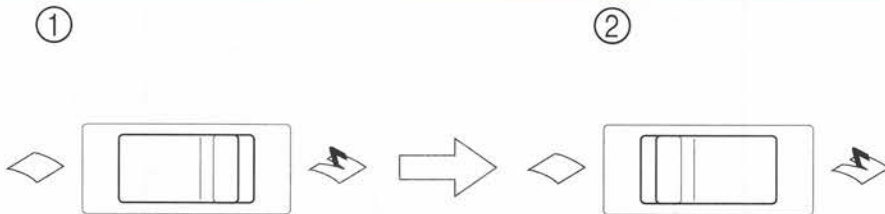
Upper Knife and Lower Knife

Worn or blunt knives will cause the material to pucker or stitches to be uneven.

- If one strand of thread can be cut off in front of or at the rear of the knife, the knife is sharp enough.
- When the knives are blunt, replace them as described on the next page. Be sure to unplug the power supply cord from the wall outlet before removing the knives.

Retracting upper knife

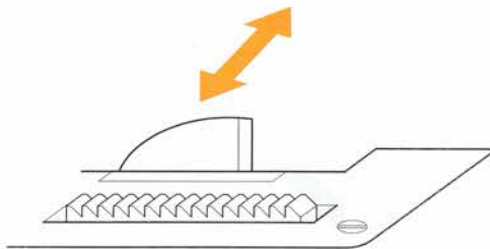
Move the knife lever to the left when the upper knife is not being used.



The top part of the upper knife will stick out above the needle plate.

- Use the projecting part of the upper knife as a guide for the fabric.

Adjust the stitch width lever to move the upper knife to the desired guide position.



CAUTION

Move the knife lever only while the needle is at its lowest point.

Cuchillas superior e inferior

Si las cuchillas están gastadas o desafiladas, pueden ocasionar arrugas o puntadas desiguales.

- Si una sola hebra puede ser cortada delante o detrás de la cuchilla, quiere decir que la cuchilla está bastante afilada.
- Cuando las cuchillas están desafiladas, conviene cambiarlas como se describe en la página siguiente. Sin embargo, asegúrese siempre de desconectar el cordón de la máquina de la toma de corriente antes de retirar las cuchillas.

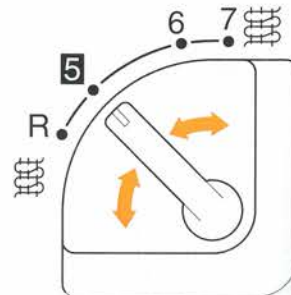
Meter la cuchilla superior

Mueva la palanca de cuchilla hacia la izquierda cuando no se utilice la cuchilla superior.

La parte superior de la cuchilla superior saldrá por encima de la placa de la aguja.

- Emplee la parte saliente de la cuchilla superior como guía para el tejido.

Ajuste la palanca de la anchura de puntada para mover la cuchilla superior a la posición de guía deseada.



PRECAUCION

Mueva la palanca de cuchilla sólo cuando la aguja esté en el punto más bajo.

Replacing the knives

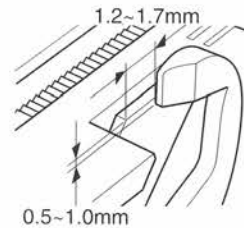
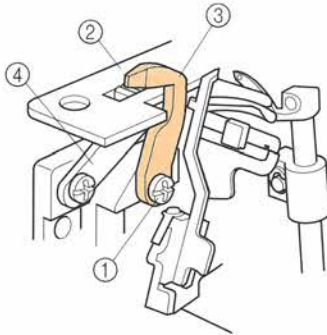
Replacing the upper knife

- (1) To remove the knife, loosen the upper knife set screw and pull up the upper knife.
- (2) Insert the new knife into the upper knife holder.
- (3) Then turn the pulley by hand until the upper knife is in the down position. Check that the upper knife is in front of the lower one and adjust the clearance between it and the edge of the lower knife to between 0.5 mm and 1.0 mm.
- (4) Retighten the upper knife securely.
 - ① Upper knife set screw
 - ② Needle plate
 - ③ Upper knife
 - ④ Lower knife

Cambio de las cuchillas

Cambio de la cuchilla superior

- (1) Para quitar la cuchilla, afloje el tornillo de instalación de la cuchilla superior y levante dicha cuchilla.
- (2) Introduzca la nueva cuchilla en el soporte de la cuchilla superior.
- (3) Luego, gire la polea con la mano hasta que la cuchilla quede en la posición baja. Averigüe que la cuchilla superior quede enfrente de la inferior y ajuste el espacio entre ella y la extremidad de la cuchilla inferior entre 0,5 y 1 mm.
- (4) Vuelva a apretar la cuchilla.
 - ① Tornillo de instalación de la cuchilla superior
 - ② Placa de agujas
 - ③ Cuchilla superior
 - ④ Cuchilla inferior



Replacing the lower knife

- (1) Loosen the lower knife set screw and pull down the lower knife.
 - (2) Insert the new knife into the lower knife holder.
 - (3) Position the lower knife so that its edge is flush with the needle plate.
 - (4) Tighten the lower knife set screw.
- It is important to adjust the alignment of the upper and lower knives for sharp cutting.

Cambio de la cuchilla inferior

- (1) Para quitar la cuchilla, afloje el tornillo de instalación de la cuchilla inferior y baje dicha cuchilla.
 - (2) Introduzca la nueva cuchilla en el soporte previsto.
 - (3) Coloque la cuchilla inferior para que su extremidad quede muy cercana a la placa de agujas.
 - (4) Vuelva a apretar el tornillo de instalación de la cuchilla inferior.
- Cabe ajustar el alineamiento de las cuchillas superior e inferior para que corten adecuadamente.

Oiling

For smooth and silent operation, the moving parts of the machine should be oiled periodically. (See diagram below.)

REMARKS:

Be sure to oil your sewing machine before use. Always clean the lint off your machine before you apply oil.

OIL THE MACHINE ONCE OR TWICE A MONTH FOR NORMAL USE. IF THE MACHINE IS USED MORE OFTEN, OIL IT ONCE A WEEK.

➔ Suggested Oiling Points

Engrasado

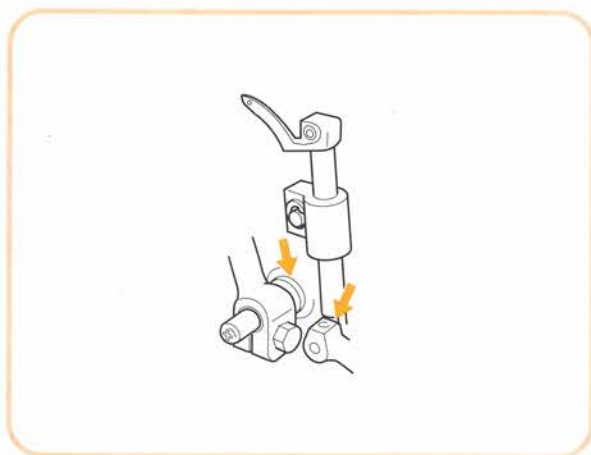
Para conseguir un funcionamiento suave y silencioso de la máquina, sus partes móviles deberán ser engrasadas periódicamente (Véase la ilustración a continuación).

OBSERVACIONES:

Asegúrese siempre de engrasar su máquina antes de utilizarla. Siempre limpie la felpa antes de proceder al engrasado.

ENGRASE LA MAQUINA UNA O DOS VECES AL MES PARA UN USO NORMAL. SI SE UTILIZA LA MAQUINA MAS A MENUDO, ENGRASELA CADA SEMANA.

➔ Puntos de engrasado sugeridos



Changing the Light Bulb

CAUTION

Always be sure to turn off the power before carrying out the following operation.

Changing the light bulb.

- Remove the lamp cover as shown in the illustration.
- Loosen the lightbulb cover set screw pull up the light bulb cover and remove it.
- Take out the light bulb and replace it with a new one.

- ① Screw
- ② Lamp cover
- ③ Screw
- ④ Light bulb cover
- ⑤ Light bulb

Cambio de la bombilla de luz

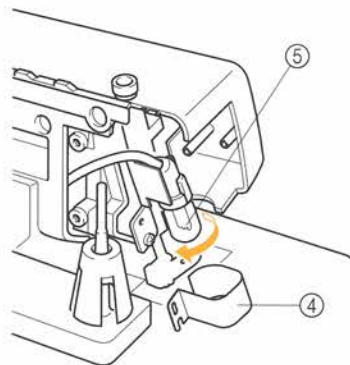
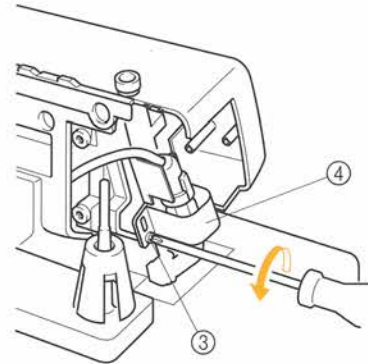
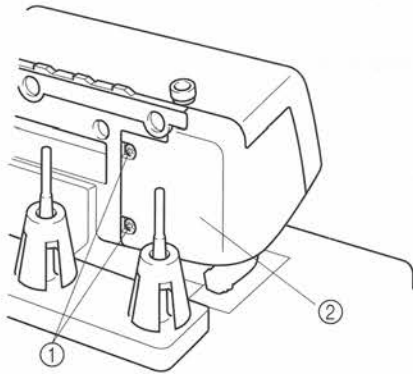
PRECAUCION

Asegúrese siempre de desconectar la alimentación antes de realizar la operación siguiente.

Cambio de la bombilla de luz.

- Extraiga la tapa de la lámpara como se muestra en la ilustración.
- Afloje el tornillo de fijación de la tapa de la lámpara, empuje la tapa de la bombilla de luz hacia arriba y extráigala.
- Saque la bombilla de luz y reemplácela por otra nueva.

- ① Tornillo
- ② Tapa de la lámpara
- ③ Tornillo
- ④ Tapa de la bombilla de luz
- ⑤ Bombilla de luz
- ⑥ Tapa de la bombilla de luz



Machine Specifications

Use

Light- to heavy-weight materials

Sewing speed

1,300 stitches per minute

Stitch width

2.3 mm to 7 mm (5/64 to 9/32 inch) (Two-needle models)

3.0 mm to 3.5 mm (1/8 to 9/64 inch) (One-needle models)

Stitch length (pitch)

2 mm to 4 mm (5/64 to 5/32 inch)

Needle bar stroke

25 mm (1 inch)

Presser foot

Free presser type

Presser foot lift

5 mm to 6 mm (3/16 to 15/64 inch)

Needle

SCHMETZ 130/705H

No. of needles and threads

Three/Four threads convertible

Two needles or single needle

Machine net weight

7.0 kgs.

Needle set SCHMETZ 130/705H.

#80 (2)

#90 (2)

Especificaciones técnicas de la máquina

Uso

Tejidos finos a gruesos

Velocidad de costura

1.300 puntadas por minuto

Ancho de puntada

2,3 mm a 7 mm (Modelos de las agujas)

3,0 mm a 3,5 mm (Modelos de una aguja)

Largo de las puntadas (altura)

2 a 4 mm

Movimiento de la barra de las agujas

25 mm

Prensateles

Tipo prensateles libre

Movimiento del prensateles

5 mm a 6 mm

Aguja

SCHMETZ 130/705H

Número de agujas e hilos

Conmutación posible entre 3 y 4 hilos

Dos agujas o una sola

Peso neto de la máquina

7,0 kgs

Juego de agujas SCHMETZ 130/705H

N°80 (2)

N° 90 (2)

